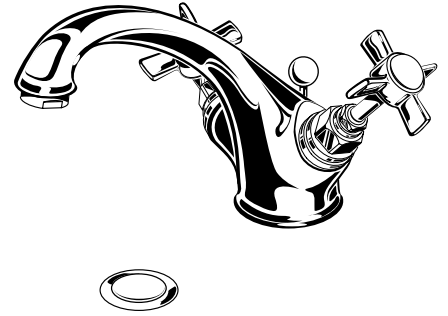


# PORCHER®

## Installation Instructions

### REPRISE MONOBLOCK FAUCET

5535.204



Certified to comply with ANSI A112.18.1M  
U.S. Patent No. 5,819,789; D405,165

M968747D en

# 1

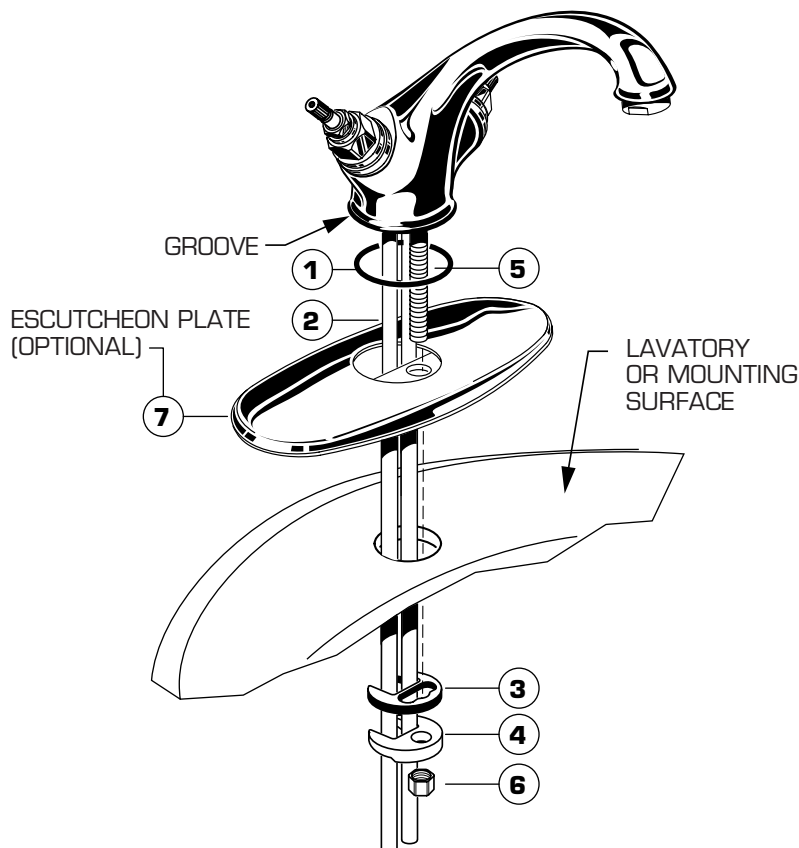
## INSTALL FAUCET

### CAUTION

Turn off hot and cold water supplies before beginning.

**NOTE:** The use of the ESCUTCHEON PLATE (7) is optional. The ESCUTCHEON PLATE is either used or discarded by the installer.

- Seat RUBBER O-RING (1) into groove in fitting base.
- Feed FAUCET (2) through ESCUTCHEON (7) and center mounting hole of lavatory or mounting surface.
- From below, push MOUNTING GASKET (3) and WASHER (4) over stud (5) and secure with NUT (6), pulling faucet to front of sink, so STUD (5) rests against sink hole. Before final tightening, adjust faucet so that it is centered.
- Carefully bend and/or cut supply tubes (2) to be connected to HOT and COLD water supplies using connectors supplied.

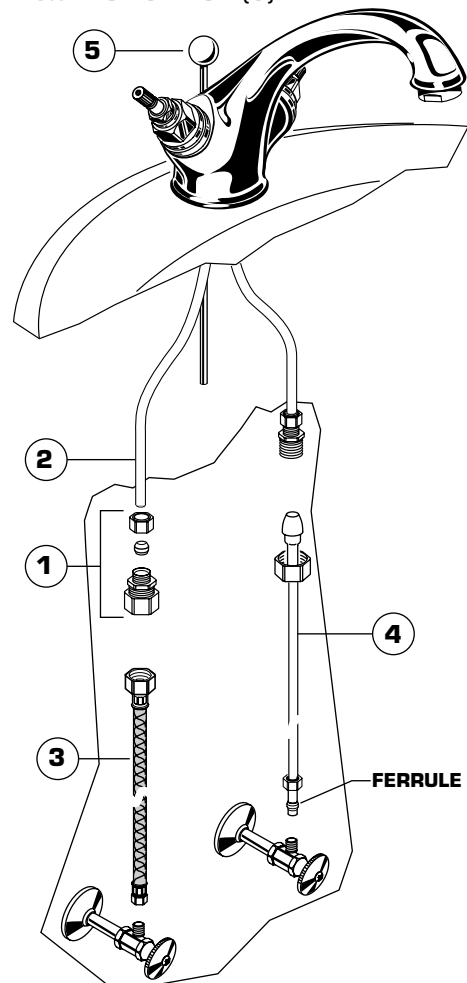


# 2

## MAKE WATER SUPPLY CONNECTIONS

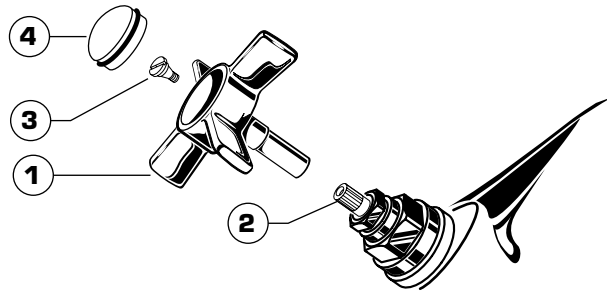
**NOTE:** FLEXIBLE SUPPLIES OR BULL-NOSE RISERS MUST BE PURCHASED SEPARATELY.

- Connect SUPPLY ADAPTERS (1, furnished) to FAUCET SUPPLY TUBES (2).
- Connect water supplies to SUPPLY ADAPTERS (1) with 1/2" IPS FLEXIBLE SUPPLIES (3) or 3/8" O.D. BULL-NOSE RISERS (4).
- Use adjustable wrench to tighten connections. Do not over tighten. Be careful not to kink copper supply when bending. Use tubing cutter to cut to proper length.
- Install POP-UP ROD (5).



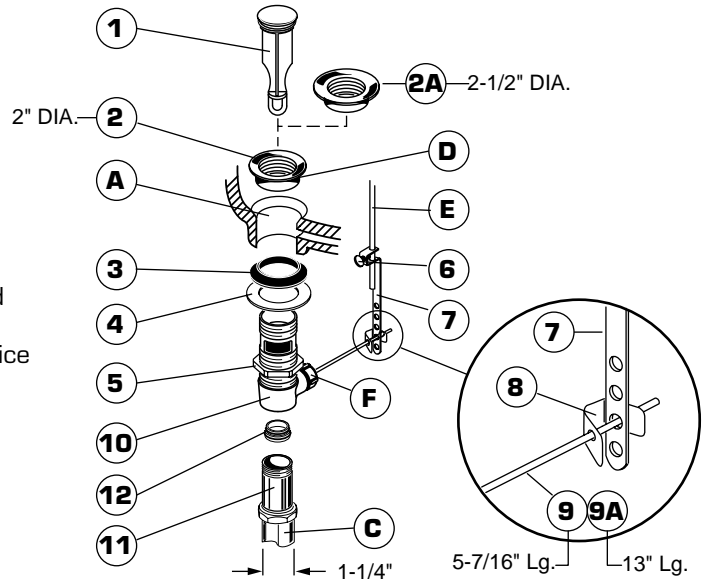
### 3 INSTALL HANDLES

- Turn VALVE to OFF position.
- Push CROSS HANDLE (1) onto VALVE STEM (2). Check alignment, if not satisfactory align.
- Insert HANDLE SCREW (3) and tighten.
- Press in INDEX BUTTON (4).

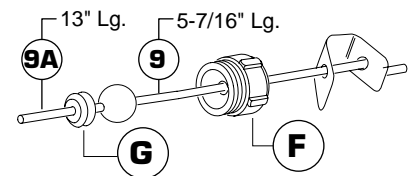


### 4 INSTALL POP-UP DRAIN

- Push Tail piece (11) down into Trap (C) (threaded end up).
- Thread Locknut (5), Washer (4) and Gasket (3) (Bevel side up) onto Drain Body (10).
- Apply a bead of Putty (D) to underside of Flange (2) or (2A).
- Feed Drain Body (10) up through Sink (A) and thread the Flange (2) or (2A) fully onto Drain Body (10).
- Tighten Locknut (5) firmly, keeping the pivot rod hole pointed towards the back of the sink.
- Assemble Pivot Rod (9) or (9A) as shown in Figure-4B. Notice the position of the Concave Washer (G).
- Insert Pivot Rod (9) or (9A) into Drain Body (10) and tighten Pivot Nut (F).
- Push TAILPIECE INSERT (12) into TAILPIECE (11) and push TAILPIECE up and thread tightly into DRAIN BODY (10).
- Position Extension Rod (7) onto Pop-Up Rod (E) and tighten Thumbscrew (6).
- Remove one end of Clip (8) from Pivot Rod (9) or (9A) by squeezing ends together while sliding.
- Insert Pivot Rod (9) or (9A) into second or third hole in Extension Rod (7) and reassemble Clip (8).
- Drop Stopper (1) into Drain Body (10).
- Adjust stopper height by repositioning Extension Rod (7) and tightening Thumbscrew (6).

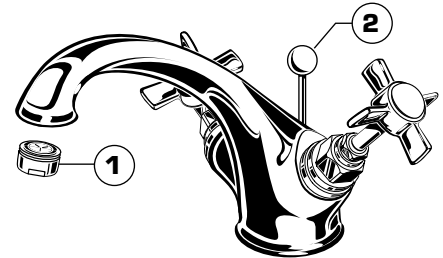


**FIGURE-4B:**



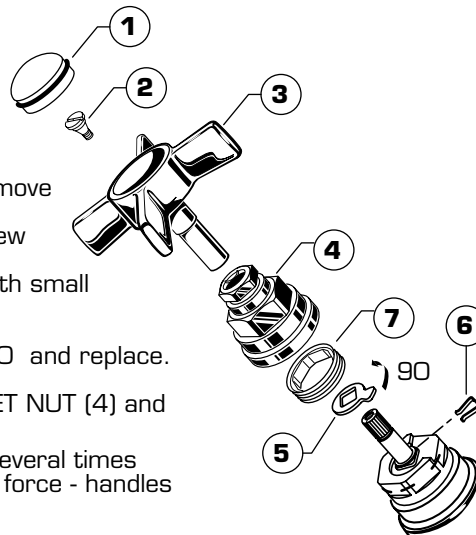
### 5 TEST INSTALLED FAUCET

- With handles in OFF position, turn on water supplies and check all connections for leaks.
- Remove AERATOR (1), operate both handles to flush water lines thoroughly. Operate LIFT ROD (2) and check DRAIN for leaks.
- Replace AERATOR (1).



### 6 SERVICE

- To change direction of handle rotation, proceed as follows:
  - Turn valve to OFF position.
  - Pull out INDEX CAP (1) and remove HANDLE SCREW (2).
  - Pull off HANDLE (3) and unscrew BONNET NUT (4).
  - Pry off bonnet ADAPTER (7) with small flat screwdriver
  - Remove SPRING CLIP (6).
  - Lift STOP WASHER (5), turn 90° and replace.
  - Replace SPRING CLIP (6).
  - Reinstall ADAPTER (7), BONNET NUT (4) and HANDLE ASSEMBLY (3, 2, 1).
- If spout drips, operate handles several times from OFF to ON position. Do not force - handles turn only 90°.



### CARE INSTRUCTIONS:

**DO: SIMPLY RINSE THE PRODUCT CLEAN WITH CLEAR WATER. DRY WITH A SOFT COTTON FLANNEL CLOTH.**

**DO NOT: CLEAN THE PRODUCT WITH SOAPS, ACID, POLISH, ABRASIVES, HARSH CLEANERS, OR A CLOTH WITH A COARSE SURFACE.**

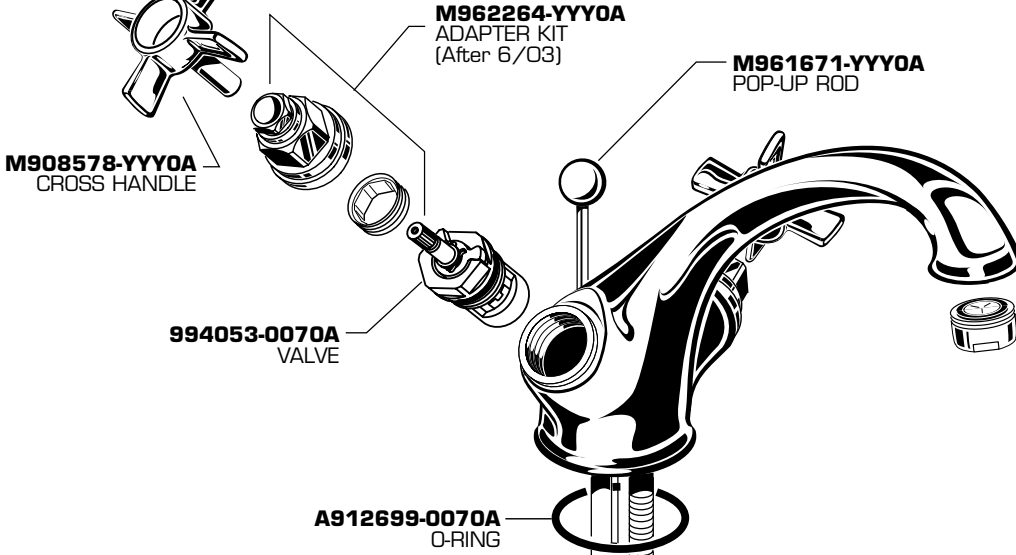
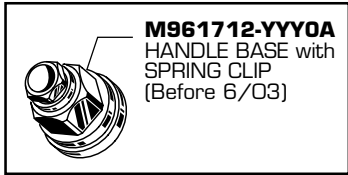
# PORCHER®

## REPRISE MONOBLOCK FAUCET

MODEL NUMBER

**5535.204**

- M961650-0070A INDEX BUTTON HOT
- M961649-0070A INDEX BUTTON COLD
- A918555-0070A HANDLE SCREW



- A912699-0070A O-RING

907638-YYY0A  
ESCUTCHEON KIT

M961714-0070A  
MOUNTING KIT

M953460-YYY0A  
COMPLETE  
DRAIN ASSEMBLY

066118-0070A  
PIVOT ROD KIT  
(5-7/16" lg.)

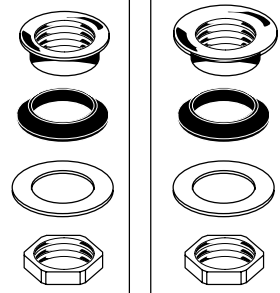
070847-0070A  
CLIP

028587-0040A  
SUPPLY ADAPTERS

066116-YYY0A  
DRAIN STOPPER

066117-YYY0A  
2" FLANGE KIT

M962100-YYY0A  
2-1/2"  
FLANGE KIT



900864-0070A  
DRAIN BODY

M961711-0070A  
TAILPIECE INSERT

070532-0040A  
TAILPIECE

M962101-0070A  
PIVOT ROD KIT (13" lg.)

072574-0070A  
EXTENSION ROD

Replace the "YYY" with appropriate finish code

CHROME	002
POLISHED NICKEL	008
POLISHED BRASS	099
BRUSHED NICKEL	295



HOTLINE FOR HELP

For toll-free information and answers to your questions, call:

1 (800) 359-3261

Weekdays 8:00 to 7:00 p.m. EST

IN CANADA 480-961-5353

Product names listed herein are trademarks of Porcher, Ltd.  
©Porcher, Ltd. 2003

M968747D en