

PORCHER®

Installation Instructions

REPRISE ACCESSORIES

TOWEL BAR 18"

5535.180

TOWEL BAR 24"

5535.240

GLASS SHELF

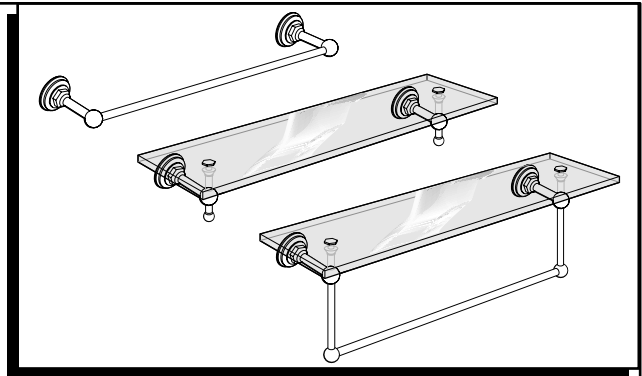
5535.024

GLASS SHELF WITH BAR 24"

5535.224

Thank you for selecting Porcher Products.

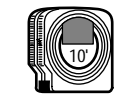
To ensure that your installation proceeds smoothly—please read these instructions carefully before you begin.



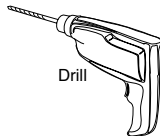
Certified to comply with ANSI A112.18.1

M968404A

Recommended Tools



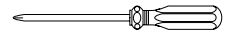
Tape Measure



Drill



Level

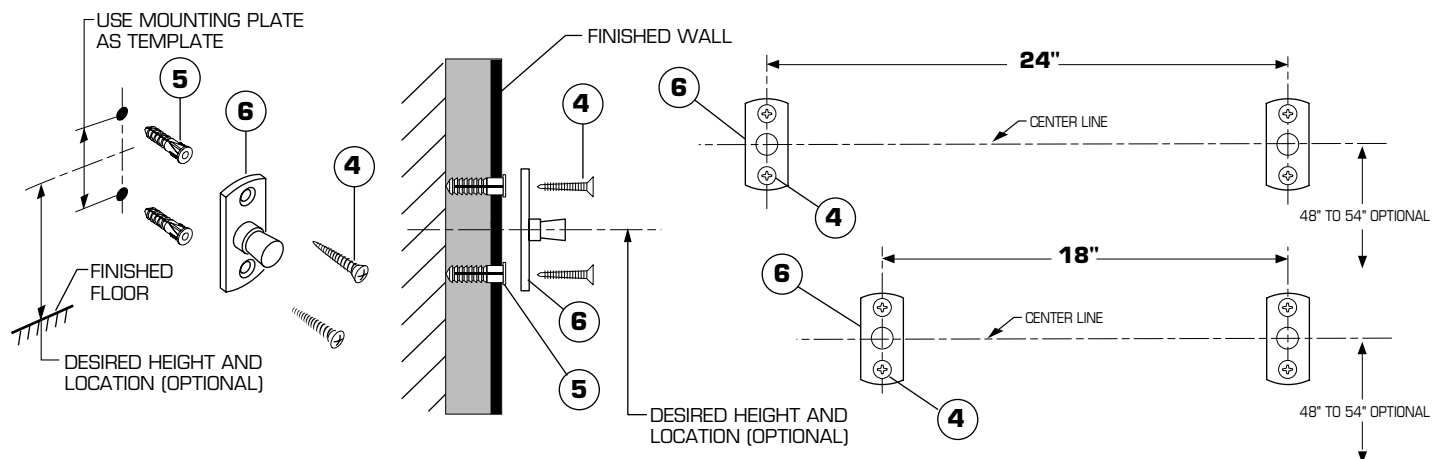


#2 Phillips Screwdriver

1 TOWEL BAR MOUNTING & INSTALLATION (18 AND 24 INCH TOWEL BARS)

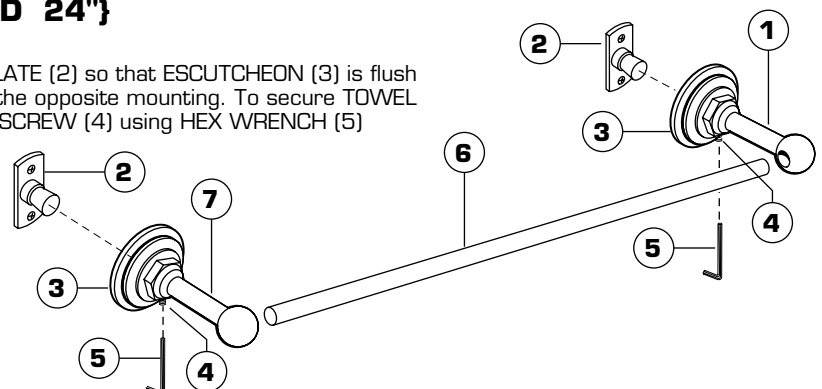
INSTALL MOUNTING PLATES

- The TOWEL BAR (1, 1A, 1B) work best if secured to a wall stud or cross brace within the wall, using the WOOD SCREWS (4) supplied. If the TOWEL BAR (1, 1A, 1B) is to be installed on a tile or plaster wall the ANCHORS (5) and WOOD SCREWS (4) should be used.
Note: The center line distance (18" or 24") between the two MOUNTING PLATES (6) is critical, and must be maintained.
- Determine desired height and location (optional) and mark a center line. Using the MOUNTING PLATE (6) as a template mark the two spots for the ANCHORS (5). If MOUNTING PLATE (6) is secured to a stud or cross brace drill small pilot holes and attach with SCREWS (4).
- **For installations on drywall or tiled walls,** If ANCHORS (5) and SCREWS (4) are used for securing MOUNTING PLATES (6) drill two 1/4" dia. holes a minimum of 1-1/4" deep. Insert the two ANCHORS (5) flush with face of the finished wall. Secure MOUNTING PLATES (6) to wall with SCREWS (4) using a #2 Phillips screwdriver.



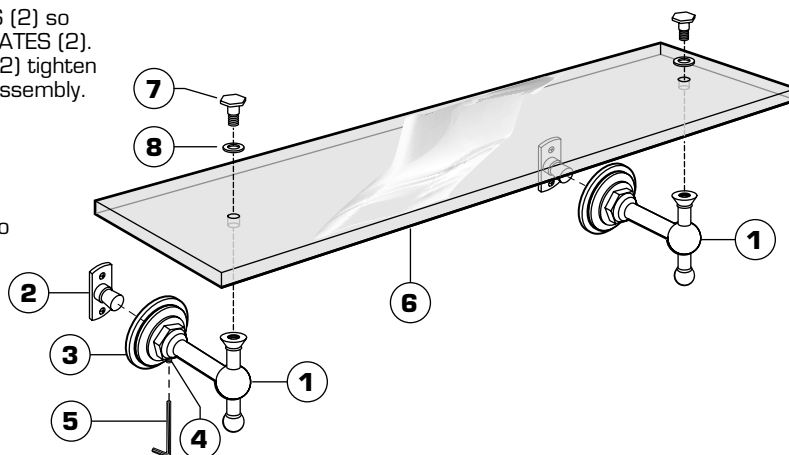
2 ASSEMBLE TOWEL BAR (18" AND 24")

- Place TOWEL BAR SUPPORT (1) onto the MOUNTING PLATE (2) so that ESCUTCHEON (3) is flush against the MOUNTING PLATE (2) and hole in ball faces the opposite mounting. To secure TOWEL BAR SUPPORT (1) to MOUNTING PLATE (2) tighten SET SCREW (4) using HEX WRENCH (5) supplied with assembly. Do not fully tighten at this time.
- Insert TOWEL ROD (6) into ball of each TOWEL BAR SUPPORT (1, 7) and install remaining TOWEL BAR SUPPORT (7) with TOWEL ROD (6) onto MOUNTING PLATE (2). Secure TOWEL BAR SUPPORT (7) to MOUNTING PLATE (2) Tighten SET SCREW (4) using HEX WRENCH (5) supplied with TOWEL BAR. Check alignment of assembly and fully tighten both SET SCREWS (4) to complete assembly.



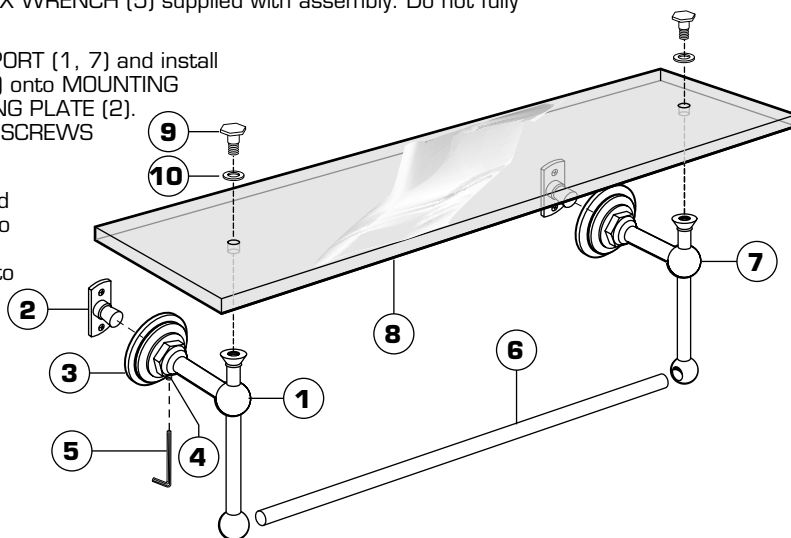
3 ASSEMBLE GLASS SHELF

- Place SHELF SUPPORTS (1) onto the MOUNTING PLATES (2) so that ESCUTCHEON (3) is flush against the MOUNTING PLATES (2). To secure SHELF SUPPORTS (1) to MOUNTING PLATES (2) tighten SET SCREWS (4) using HEX WRENCH (5) supplied with assembly. Do not fully tighten at this time.
- Place GLASS SHELF (6) onto SHELF SUPPORTS (1). Hold GLASS SHELF (6) in place and align shelf mounting holes to SHELF SUPPORTS (1). Insert MOUNTING SCREWS (7) through FRICTION WASHER (8) and GLASS SHELF (6) into SHELF SUPPORTS (1). Hand tighten MOUNTING SCREWS (7).
- Check alignment of supports and shelf. Shelf should rest squarely on SHELF SUPPORTS (1). Fully tighten SET SCREWS (4), Tighten MOUNTING SCREWS (7), but do not over tighten.



4 ASSEMBLE GLASS SHELF with TOWEL BAR

- Place TOWEL BAR SUPPORT (1) onto the MOUNTING PLATE (2) so that ESCUTCHEON (3) is flush against the MOUNTING PLATE (2) and hole in ball faces the opposite mounting. To secure TOWEL BAR SUPPORT (1) to MOUNTING PLATE (2) tighten SET SCREW (4) using HEX WRENCH (5) supplied with assembly. Do not fully tighten at this time.
- Insert TOWEL ROD (6) into ball of each TOWEL BAR SUPPORT (1, 7) and install remaining TOWEL BAR SUPPORT (7) with TOWEL ROD (6) onto MOUNTING PLATE (2). Secure TOWEL BAR SUPPORT (7) to MOUNTING PLATE (2). Check alignment of assembly and loosely tighten both SET SCREWS (4) using HEX WRENCH (5) supplied with TOWEL BAR..
- Place GLASS SHELF (8) onto SHELF SUPPORTS (1,7). Hold GLASS SHELF (6) in place and align shelf mounting holes to SHELF SUPPORTS (1, 7). Insert MOUNTING SCREWS (9) through FRICTION WASHER (10) and GLASS SHELF (8) into SHELF SUPPORTS (1, 7). Hand tighten MOUNTING SCREWS (9).
- Check alignment of supports and shelf. Shelf should rest squarely on SHELF SUPPORTS (1, 7). Fully tighten SET SCREWS (4), Tighten MOUNTING SCREWS (9), but do not over tighten.



5 CARE INSTRUCTIONS

- To keep your new accessory looking new, please follow these simple care instructions:

DO:

- Simply rinse the accessory clean with clear water.
- Dry the accessory with a soft cotton cloth.

DO NOT:

- Do not use any abrasive cleaners, cloths, or paper towels.
- Do not use any cleaning agents containing acids, polish abrasives, or harsh cleaners or soaps.

- Regular and routine cleaning will reduce the need for heavy cleaning and polishing. If heavy cleaning is required, the following procedures are recommended:

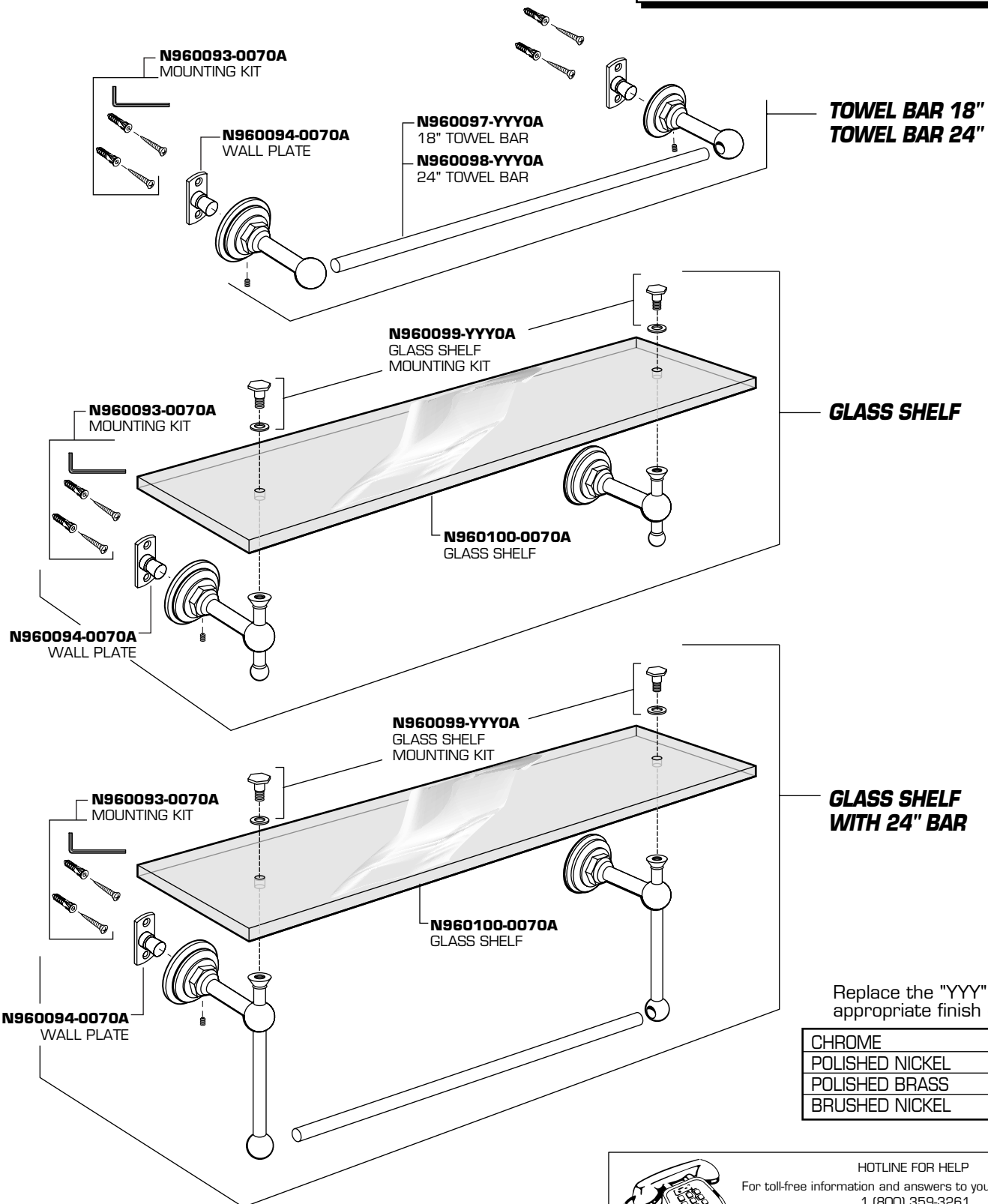
- Remove as much surface dirt and film using clear water and soft cotton cloth (as described above).

- Use any of the following to remove tough surface film and build-up:
 - Mild liquid detergents
 - Clear liquid glass cleaners
 - Non-acidic, non-abrasive gentle liquid or fully dissolved powder cleansers mixed according to manufacturers directions.
 - Non abrasive liquid polishers

- Once clean, rinse accessory again with clear water to thoroughly remove cleaner or polish and blot dry with a clean dry cloth.

Failure to follow these care instructions may damage the Accessories finish.

TOWEL BAR 18"	5535.180
TOWEL BAR 24"	5535.240
GLASS SHELF	5535.024
GLASS SHELF WITH BAR 24"	5535.224



Replace the "YYY" with appropriate finish code

CHROME	002
POLISHED NICKEL	008
POLISHED BRASS	099
BRUSHED NICKEL	295



HOTLINE FOR HELP

For toll-free information and answers to your questions, call:
1 (800) 359-3261

Weekdays 8:00 to 7:00 p.m. EST

IN CANADA 480-961-5353