

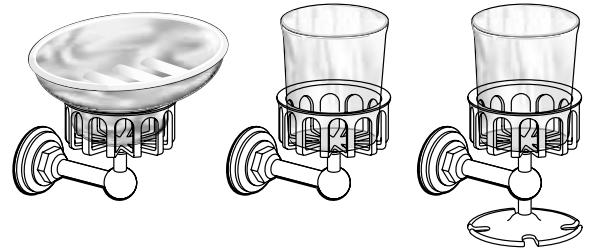
PORCHER®

Installation Instructions

REPRISE ACCESSORIES

SOAP DISH 5535.280
TUMBLER HOLDER 5535.150
TUMBLER AND TOOTHBRUSH HOLDER 5535.160

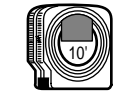
Thank you for selecting Porcher Products.
To ensure that your installation proceeds smoothly—please read these instructions carefully before you begin.



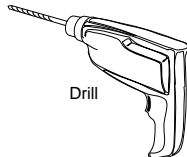
Certified to comply with ANSI A112.18.1

M968405

Recommended Tools



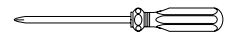
Tape Measure



Drill



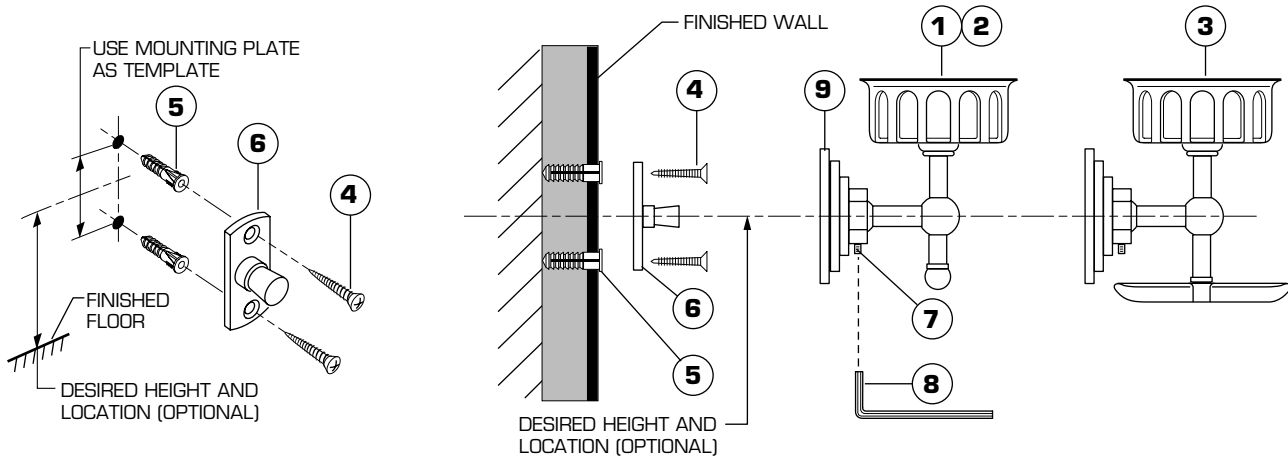
Level



#2 Phillips Screwdriver

1 SOAP DISH, TUMBLER HOLDER and TUMBLER HOLDER with TOOTHBRUSH HOLDER MOUNTING & INSTALLATION

- The SOAP DISH (1), TUMBLER HOLDER (2) or TUMBLER and TOOTHBRUSH HOLDER (3) work best if secured to a wall stud or cross brace within the wall, using the SCREWS (4) supplied.
- If the SOAP DISH (1), TUMBLER HOLDER (2) or TUMBLER and TOOTHBRUSH HOLDER (3) are to be installed on a tile or plaster wall the ANCHORS (5) and SCREWS (4) must be used.
- Determine desired height and location (optional) and mark a center line. Using the MOUNTING PLATE (6) as a template mark the two spots for the ANCHORS (5). If MOUNTING PLATE (6) is secured to a stud or cross brace drill small pilot holes for SCREWS (4).
- **For installations on drywall or tiled walls:** If ANCHORS (5) and SCREWS (4) are used for securing MOUNTING PLATES (6) drill two 1/4" dia. holes a minimum of 1-1/4" deep. Insert the two ANCHORS (5) flush with face of the finished wall. Secure MOUNTING PLATES (6) to wall with SCREWS (4) using a #2 Phillips screwdriver.
- Place the SOAP DISH (1), TUMBLER HOLDER (2) or TUMBLER and TOOTHBRUSH HOLDER (3) onto the MOUNTING PLATE (6) so that the ESCUTCHEON (9) is flush against the MOUNTING PLATE (6). Level assembly and tighten the SET SCREW (7) with HEX WRENCH (8) supplied to secure the SOAP DISH (1), TUMBLER HOLDER (2) or TUMBLER and TOOTHBRUSH HOLDER (3) to the MOUNTING PLATE (6). Tighten fully to complete installation.



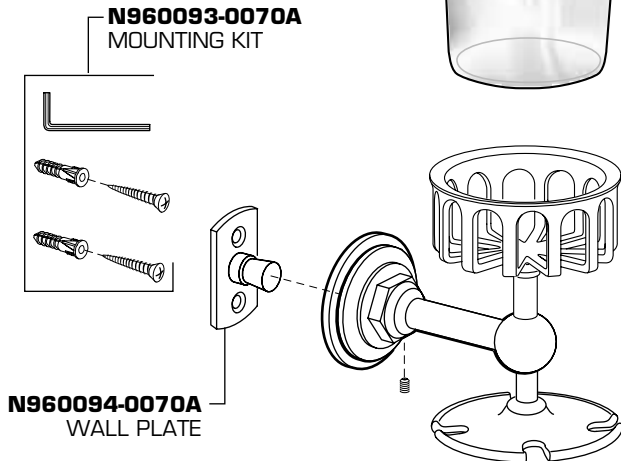
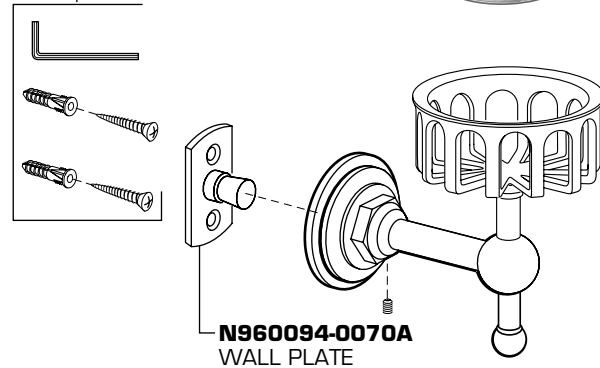
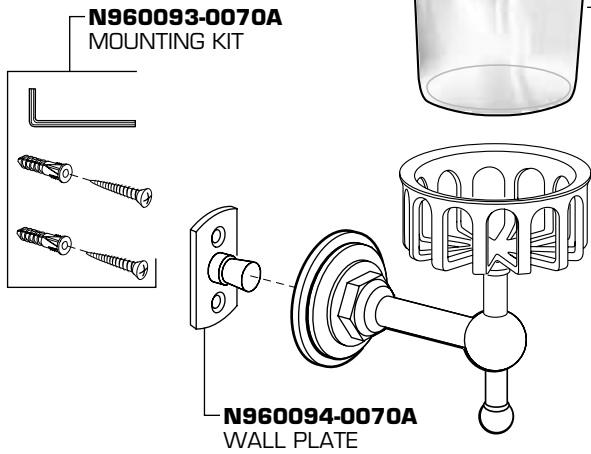
2 CARE INSTRUCTIONS

- To keep your new accessory looking new, please follow these simple care instructions:
 - DO:** ■ Simply rinse the accessory clean with clear water.
 - Dry the accessory with a soft cotton cloth.
 - DO NOT:**
 - Do not use any abrasive cleaners, cloths, or paper towels.
 - Do not use any cleaning agents containing acids, polish abrasives, or harsh cleaners or soaps.
 - Regular and routine cleaning will reduce the need for heavy cleaning and polishing. If heavy cleaning is required, the following procedures are recommended:
 - Remove as much surface dirt and film using clear water and soft cotton cloth (as described).
 - Use any of the following to remove tough surface film and build-up:
 - Mild liquid detergents
 - Clear ammonia free liquid glass cleaners
 - Non-acidic, non-abrasive gentle liquid or fully dissolved powder cleansers mixed according to manufacturers directions.
 - Non-abrasive liquid polishers
 - Once clean, rinse accessory again with clear water to thoroughly remove cleaner or polish and blot dry with a cotton cloth.
- Failure to follow these care instructions may damage the accessories finish.**

REPRISE ACCESSORIES

MODEL NUMBERS

SOAP DISH	5535.280
TUMBLER HOLDER	5535.150
TUMBLER & TOOTHBRUSH HOLDER	5535.160



Replace the "YYY" with appropriate finish code

CHROME	002
POLISHED NICKEL	008
POLISHED BRASS	099
BRUSHED NICKEL	295



HOTLINE FOR HELP

For toll-free information and answers to your questions, call:

1 (800) 359-3261

Weekdays 8:00 to 7:00 p.m. EST

IN CANADA 480-961-5353

Product names listed herein are trademarks of Porcher, Ltd.
©Porcher, Ltd. 2003

M968405