

PORCHER®

ASSEMBLY & INSTALLATION INSTRUCTIONS

L'Expression Square Sink Zen Vanity 10441/89400



INTRODUCTION

Thank you for selecting our Porcher product. To ensure that your installation proceeds smoothly, read these instructions carefully before you begin. Also, review the recommended tools and materials section. Carefully unpack and examine your new plumbing fixture.

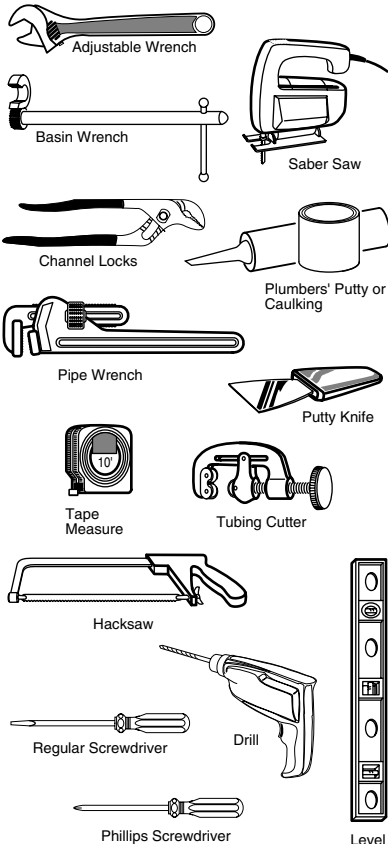
ALL INSTALLATION PROCEDURES MUST COMPLY IN STRICT ACCORDANCE WITH APPLICABLE LOCAL PLUMBING AND BUILDING CODES

Mounting Hardware (included)

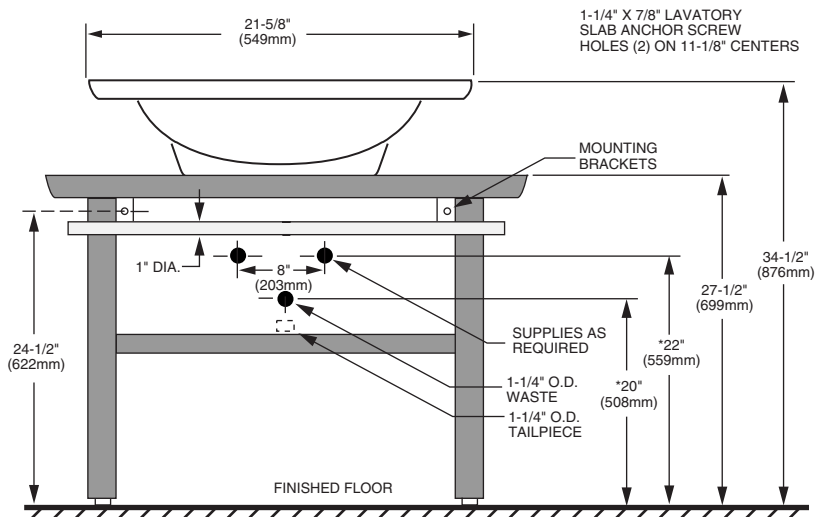
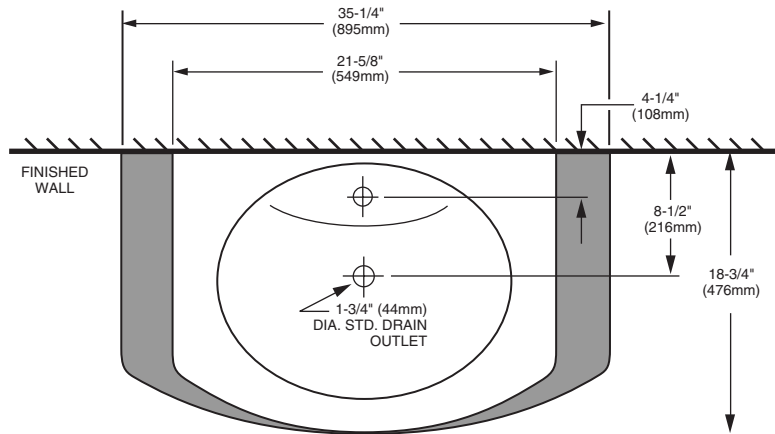


Tools and Materials Required

Most of the procedures require the use of common tools and materials, which are available from hardware and plumbing, supply stores. It is essential that the tools and materials be on hand before work is begun.



Roughing-in Dimensions



* Suggested

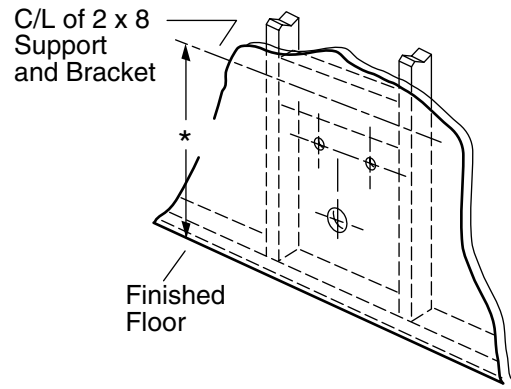
Note: dimensions are nominal and may vary within the range of manufacturing tolerances.

Installation Procedures

Typical installation includes wall preparation, installation of faucet and pop-up drain, connection of flexible water supply lines, attachment of lavatory to wall, sizing and installation of drain, connecting supplies to house water system.

Lavatory Mounting Provisions – Whether the lavatory is used for replacement or new installation, the wall area behind the console lavatory must be reinforced to provide secure mounting for the new unit.

Provide suitable reinforcement required for anchoring the vanity to the wall. *Determine horizontal centerline location of support from fixture.



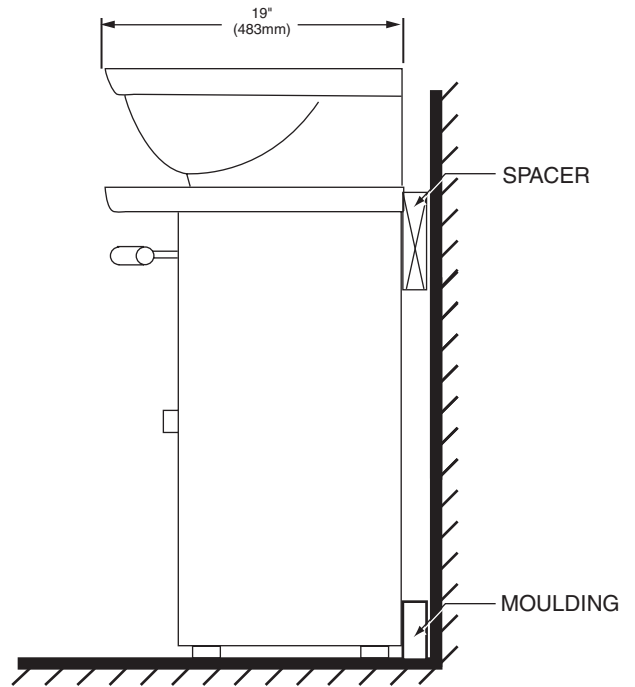
If molding is present, either notch the molding to seat the vanity flush against the wall or provide suitable spacer.

Rough in supply lines and waste per rough in dimensions. NOTE: If current supply lines are greater than 8" on center, they may interfere with cutout in rear of vanity or vanity shelf.

Use a Carpenter's Square to ensure that the console lavatory is level.

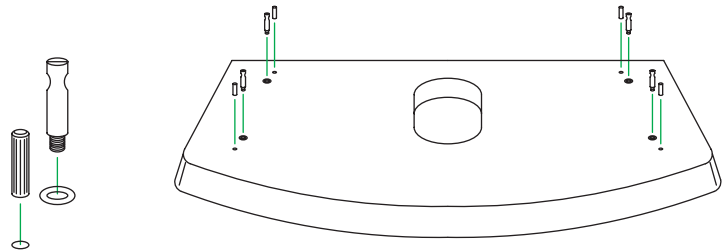
Move the vanity into place and anchor it to the wall through the mounting brackets in the rear of the vanity.

Continue with installation appropriate for top and sink options chosen.



1

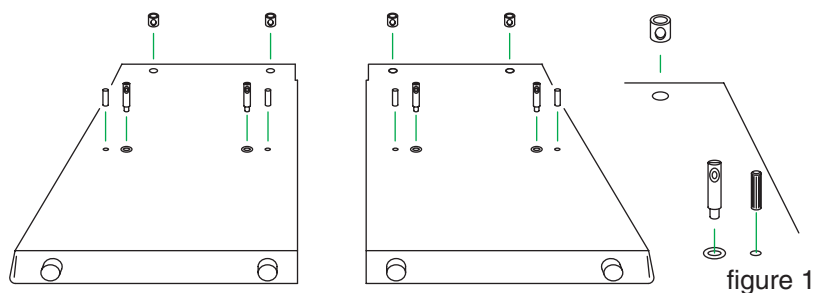
Install (4) wood dowels and (4) threaded studs into the Console top as shown.



2

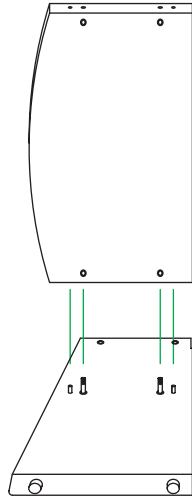
- Place the right side and left side panels down as shown
- Install (2) wood dowel, (2) threaded studs and (2) locking posts in each of the panels.

(Reference figure 1 for installing the hardware.)

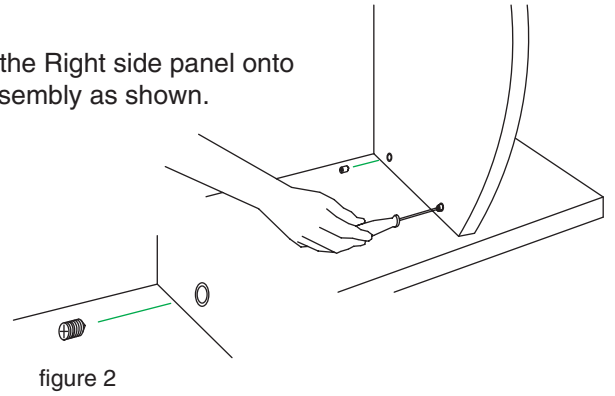


3

Place the shelf onto the Left Side panel as shown

**4**

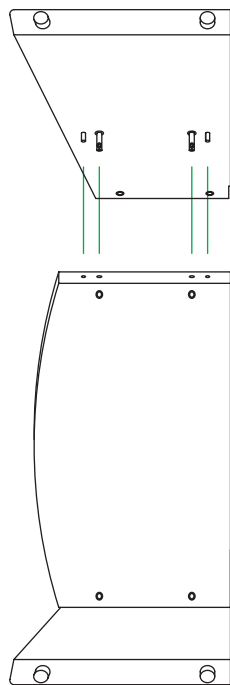
Place the Right side panel onto the assembly as shown.

**5**

- Using a phillips head screwdriver install the (4) locking screws into the bottom of the shelf and tighten.

- Ensure that the conical end of the locking screw aligns with the dimple in the threaded studs.

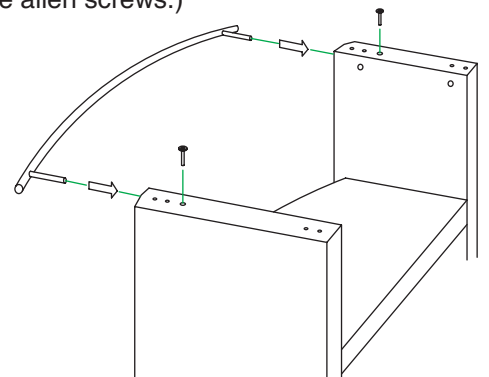
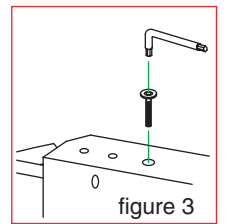
(Reference figure 2 for installing the locking screws.)

**6**

- Insert the Chrome Towel Bar into the assembly as shown.

- Install the (2) allen head screws into the assembly.

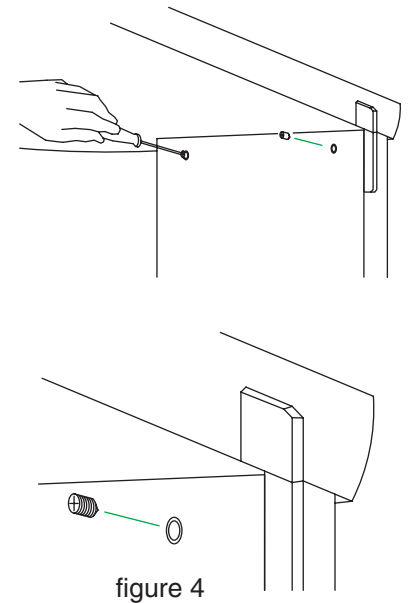
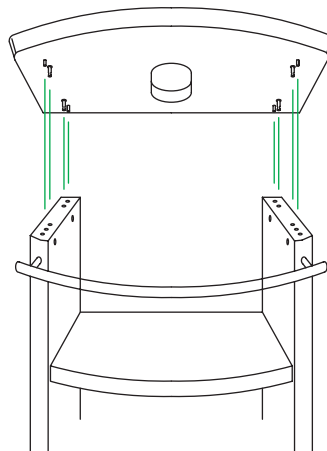
- Tighten screws by using the allen key provided with your Table. (Reference figure 3 for installing and tightening the allen screws.)

**7**

- With the assistance of another person, place the Console Top onto the assembly as shown.

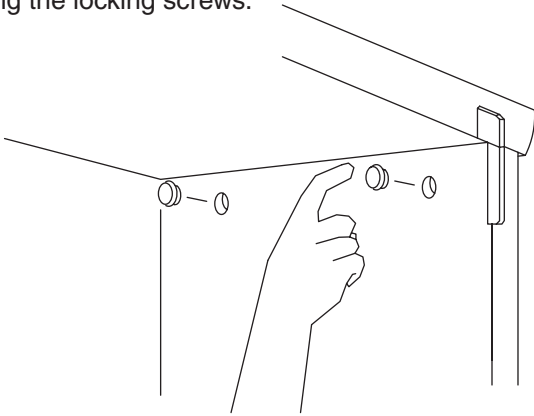
- Using a phillips head screwdriver install (2) locking screws into each of the side panels and tighten.

(Reference figure 4 for installing the locking screws.)

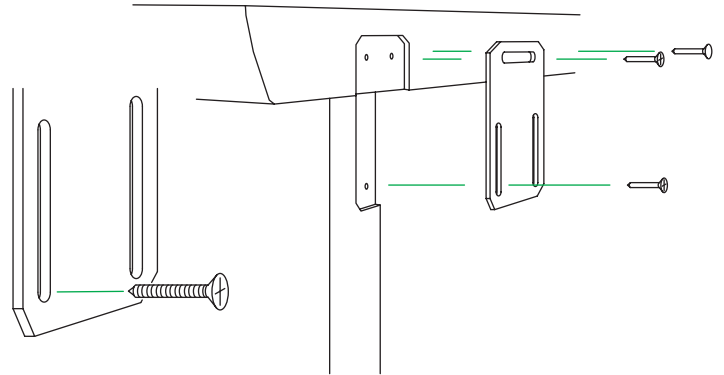


8

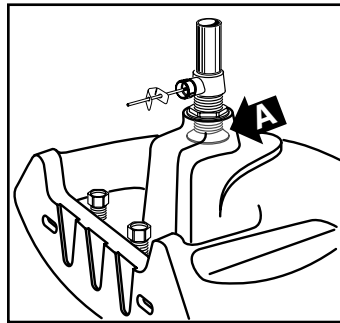
- Insert (2) plastic caps into each of the side panels, covering the locking screws.

**9**

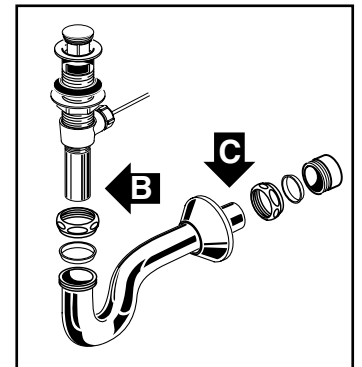
- Align the metal plate in the notched section of the side panel and Console Top as shown.
- Using a phillips head screwdriver install (4) small wood screws and tighten as shown.

**10**

Following manufacturer's instructions, install faucet and drain assembly. Be certain to apply a bead of sealing putty on the underside of the drain (area "A") in order to ensure a watertight seal between the lavatory and drain. Remove excess putty after installing drain on lavatory.

**11**

Return the fitted sink to the installed position. Connect trap to drain assembly hand tight to check alignment. It may be necessary to cut off part of the tailpiece (area "B") and/or part of the drain elbow of the trap (area "C").

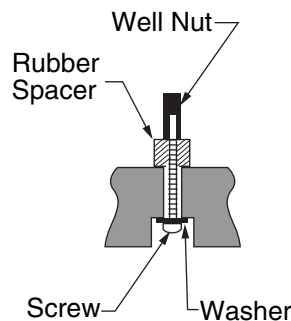


Typical Drain Assembly

12 Mount Sink to Console

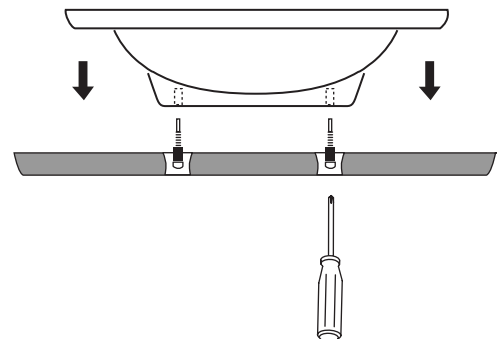
Using the mounting hardware provided:

- Place steel washer onto screw
- Install screws from underside of console through holes.
- Place rubber spacer onto screws.
- Place well nut onto screw and slightly tighten to firm up assembly

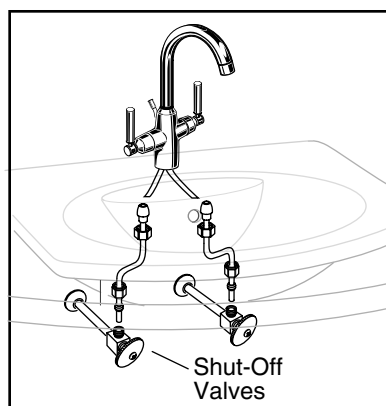
**13**

Place Square L'Expression sink #10441 onto console table, aligning the holes in sink with the mounting hardware.

Use a Phillips screwdriver to tighten firmly.

**14**

Connect hot and cold supply lines to the shut-off valves. Tighten trap joints for water-tight assembly.



Care and Cleaning of Vanity

Please note that some chemicals may damage the finish on the frame. Take care to avoid having the frame come into contact with the following: iodine, hair dye, after shave lotion, Lestoil™, Lysol Tub and Tile Cleaner™, Lysol Spray Disinfectant™, Dow Disinfectant™, acetone, paint remover, Formula 409™, Tile-X™, and Nair™. Use the Milsek Furniture Polish and Cleaner™ (sample included) to care for the support frame and panels.

Do not use harsh abrasives or caustic cleaners to clean fixture surfaces. A mild detergent, warm water, and a soft cloth will remove normal dirt and soap accumulations from fittings and surfaces. Rinse thoroughly after cleaning and polish with a soft dry cloth to restore original luster of material.

PORCHER FURNITURE LIMITED WARRANTY

If inspection of this Porcher plumbing product, within one year after its initial purchase, confirms that it is defective in materials or workmanship, Porcher will repair or, at its option, exchange the product for a similar model. Variations in actual wood color and finishes which may result from natural characteristics of the wood, such as grain patterns, mineral streaks and the like, are not defects and are not covered by this warranty.

This warranty applies only to the original purchaser and installation of these products. In the event of a claim, proof of purchase will be required; save your receipt.

This limited warranty **does not apply** to local building code compliance. Since local building codes vary considerably, the purchaser of this product should check with a local building or plumbing contractor to insure local code compliance before installation.

This warranty **is void** if the product has been moved from its initial place of installation; if it has been subjected to faulty maintenance, abuse, misuse, accident or other damages; if it was not installed in accordance with Porcher's instructions; or if it has been modified in a manner inconsistent with the product as shipped by Porcher.

Porcher's option to repair or exchange the product under this warranty does not cover any labor or other costs of removal or installation, nor shall Porcher be responsible for any other incidental or consequential damages attributable to a product defect or to the repair or exchange of a defective product, all of which are expressly excluded from this warranty. This limited warranty **does not** cover any liability for consequential or incidental damages, all of which are hereby expressly disclaimed, or the extension beyond the duration of this limited warranty of any implied limited warranties, including those of merchantability or fitness for an intended purpose. (Some states or provinces do not allow the exclusion or limitation of implied warranties, so this exclusion may not apply to you).

This warranty gives you specific legal rights. You may have other statutory rights that vary from state to state or province to

PORCHER ONE-YEAR LIMITED WARRANTY

If inspection of this Porcher plumbing product, within one year after its initial purchase, confirms that it is defective in materials or workmanship, Porcher will repair or, at its option, exchange the product for a similar model.

This warranty **does not apply** to local building code compliance. Since local building codes vary considerably, the purchaser of this product should check with a local building or plumbing contractor to insure local code compliance before installation.

This warranty **shall be void** if the product has been moved from its initial place of installation; if it has been subjected to faulty maintenance, abuse, misuse, accident or other damage; if it was not installed in accordance with Porcher's instructions; or if it has been modified in a manner inconsistent with the product as shipped by Porcher.

Porcher's option to repair or exchange the product under this warranty does not cover any labor or other costs of removal or installation, **nor shall Porcher be responsible for any other incidental or consequential damages attributable to a product defect or to the repair or exchange of a defective product, all of which are expressly excluded from this warranty.** (Some states or provinces do not allow the exclusion or limitation of implied warranties, so this exclusion may not apply to you.)

This warranty gives you specific legal rights. You may have other statutory rights that vary from state to state or from province to province, in which case this warranty does not affect such statutory rights.

For service under this warranty, it is suggested that a claim be made through the contractor or dealer from or through whom the product was purchased, or that a service request (including a description of the product model and of the defect) be sent to the following address:

In the United States:

Porcher
P.O. Box 6820
Piscataway, New Jersey, 08855
Attention: Director of Consumer Affairs

For residents of the United States,
warranty information may also be
obtained by calling the following
toll free number: (800) 359-3261

In Canada:

Porcher
2480 Stanfield Road
Mississauga, Ontario
Canada L4Y 1S2

Toronto Area: (905) 306-1093
Toll Free: (800) 387-0369

In Mexico:

Porcher
Planta Santa Clara
Via Morelos #330
Santa Clara Coatitla
Ecatepec de Morelos 55540,
Estado de Mexico, Mexico