

PORCHER®

Installation Instructions

DOMAINE MONOBLOCK LAVATORY FITTING

5737.224
5737.204



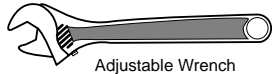
Certified to comply with ANSI A112.18.1M
U.S. Patent No. 5,819,789; D405,165

M968244B

Thank you for selecting Porcher Products.

To ensure that your installation proceeds smoothly—please read these instructions carefully before you begin.

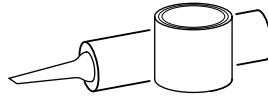
Recommended Tools & Materials



Adjustable Wrench



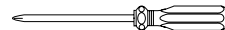
Tubing Cutter



Plumbers' Putty or
Caulking



Regular Screwdriver



Phillips Screwdriver



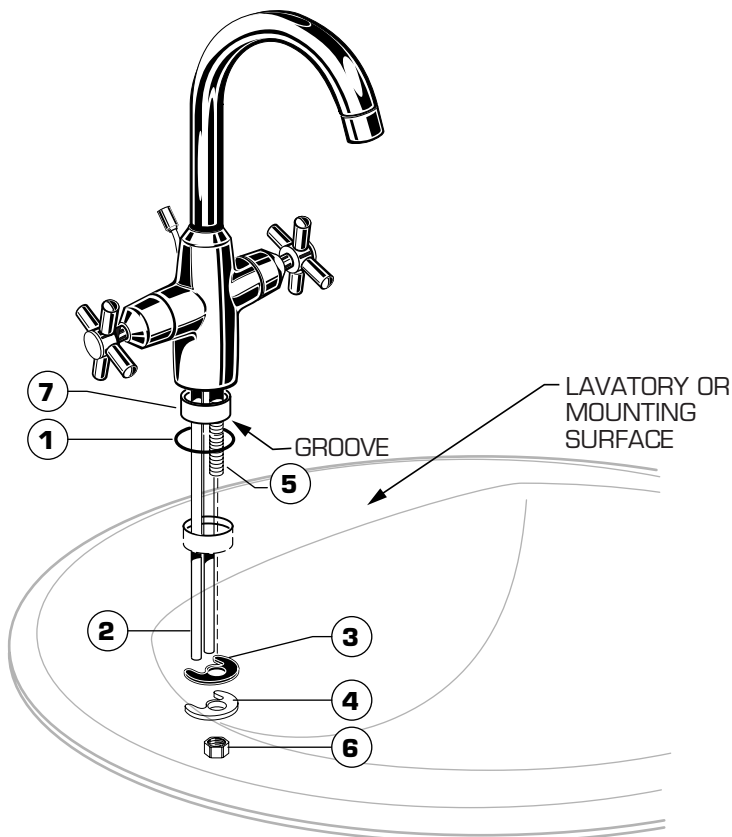
Channel Locks

1 INSTALL FAUCET

CAUTION

Turn off hot and cold water supplies before beginning.

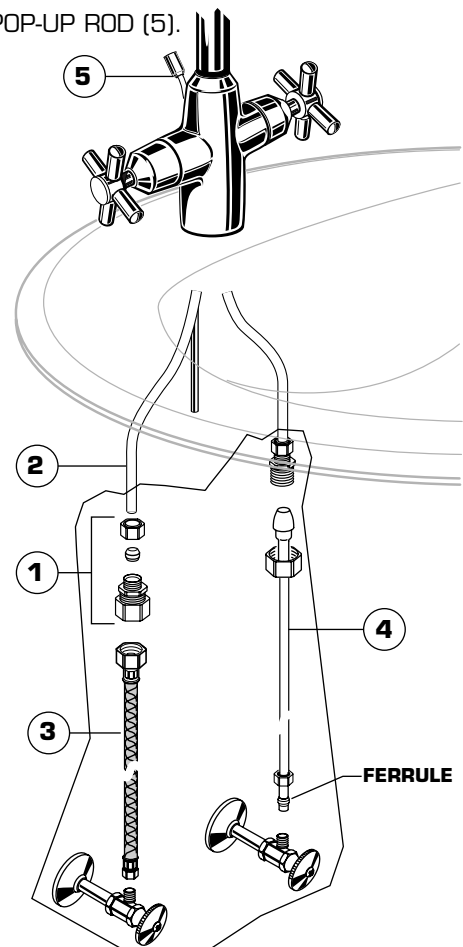
- Seat SEAL (1) into groove in SPACER (7) base.
- Feed FAUCET into SPACER (7) and through the center mounting hole of lavatory or mounting surface.
- From below, push MOUNTING GASKET (3) and WASHER (4) over stud (5) and secure with NUT (6), pulling faucet to front of sink, so STUD (5) rests against sink hole. Before final tightening, adjust faucet so that it is centered.
- Carefully bend and/or cut supply tubes (2) to be connected to HOT and COLD water supplies using connectors supplied.



2 MAKE WATER SUPPLY CONNECTIONS

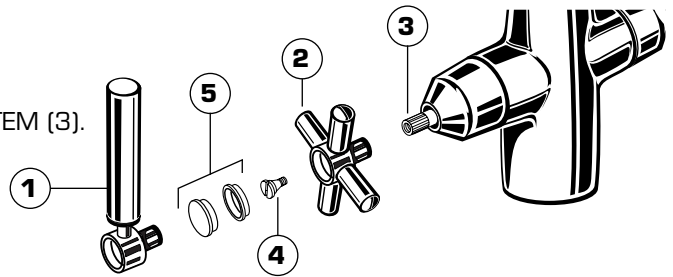
NOTE: FLEXIBLE SUPPLIES OR BULL-NOSE RISERS MUST BE PURCHASED SEPARATELY.

- Connect SUPPLY ADAPTERS (1, furnished) to FAUCET SUPPLY TUBES (2).
- Connect water supplies to SUPPLY ADAPTERS (1) with 1/2" IPS FLEXIBLE SUPPLIES (3) or 3/8" O.D. BULL-NOSE RISERS (4).
- Use adjustable wrench to tighten connections. Do not over tighten. Be careful not to kink copper supply when bending. Use tubing cutter to cut to proper length.
- Install POP-UP ROD (5).



3 INSTALL HANDLES

- Turn VALVE to OFF position.
- Push LEVER HANDLE (1) or CROSS HANDLE (2) onto VALVE STEM (3).
- Check alignment, if not satisfactory align.
- Insert HANDLE SCREW (4) and tighten.
- Press in INDEX BUTTON (5).



4 INSTALL POP-UP DRAIN

- Push Tail piece (11) down into Trap (C) (threaded end up).
- Thread Locknut (5), Washer (4) and Gasket (3) (Bevel side up) onto Drain Body (10).
- Apply a bead of Putty (D) to underside of Flange (2) or (2A).
- Feed Drain Body (10) up through Sink (A) and thread the Flange (2) or (2A) fully onto Drain Body (10).
- Tighten Locknut (5) firmly, keeping the pivot rod hole pointed towards the back of the sink.
- Assemble Pivot Rod (9) or (9A) as shown in Figure-4B. Notice the position of the Concave Washer (G).
- Insert Pivot Rod (9) or (9A) into Drain Body (10) and tighten Pivot Nut (F).
- Push TAILPIECE INSERT (12) into TAILPIECE (11) and push TAILPIECE up and thread tightly into DRAIN BODY (10).
- Position Extension Rod (7) onto Pop-Up Rod (E) and tighten Thumbscrew (6).
- Remove one end of Clip (8) from Pivot Rod (9) or (9A) by squeezing ends together while sliding.
- Insert Pivot Rod (9) or (9A) into second or third hole in Extension Rod (7) and reassemble Clip (8).
- Drop Stopper (1) into Drain Body (10).
- Adjust stopper height by repositioning Extension Rod (7) and tightening Thumbscrew (6).

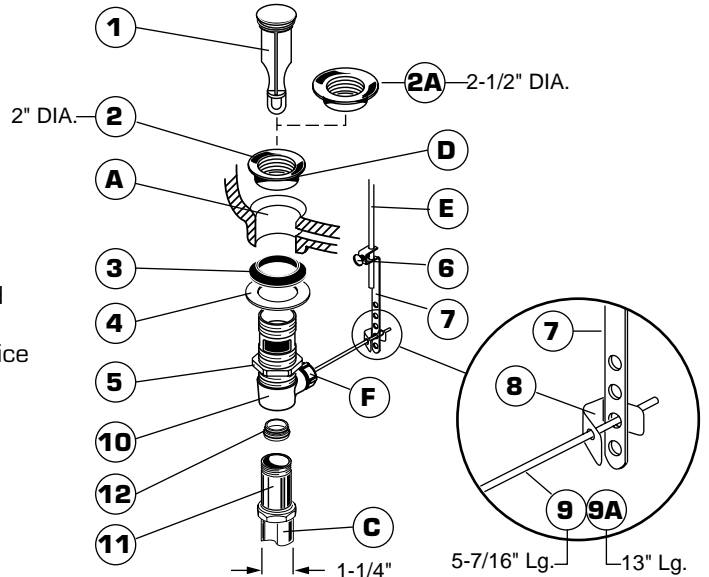
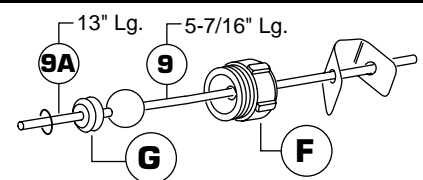
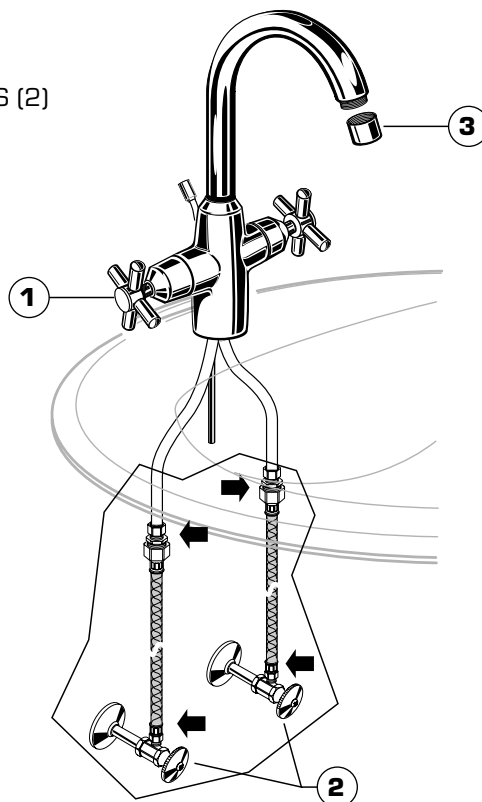


FIGURE-4B:



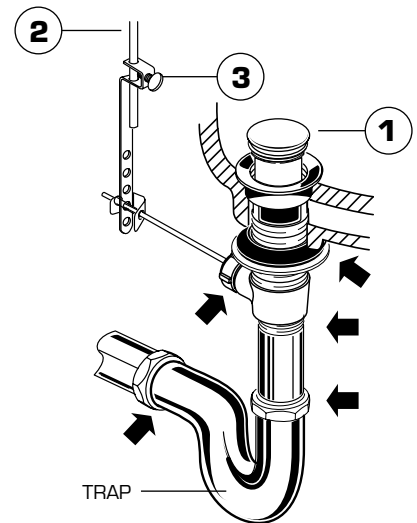
5 TEST INSTALLED FAUCET AND CHECK FOR LEAKS

- With HANDLES (1) in OFF position, turn on WATER SUPPLIES (2) and check all connections for leaks.
- Remove AERATOR (3).
- Operate both HANDLES (1) to flush water lines thoroughly.
- Replace AERATOR (3).



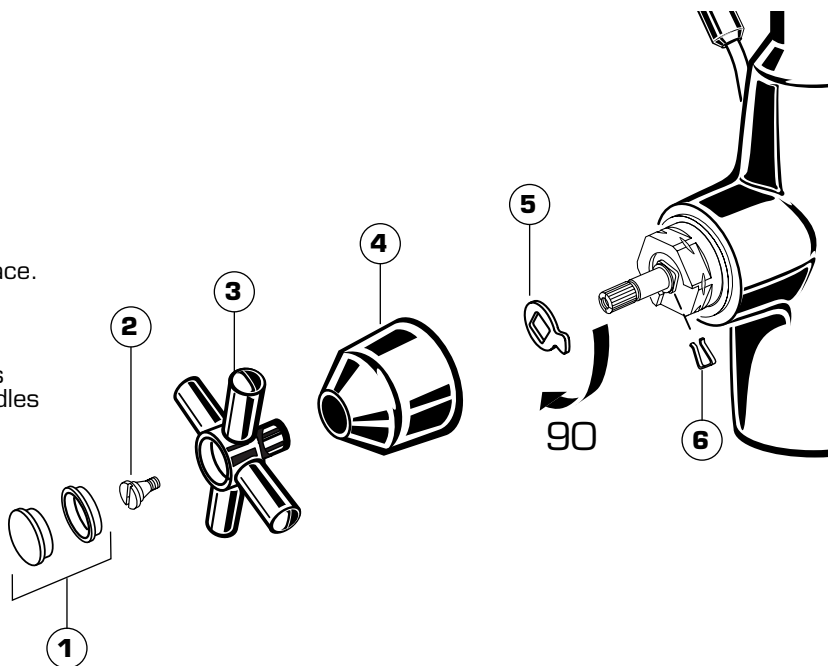
6 CHECK DRAIN CONNECTIONS

- Operate Lift Rod and fill lavatory with water. Check that DRAIN STOPPER (1) makes a good seal and retains water in lavatory. Adjust stopper height by repositioning Lift Rod (2) and tightening Thumbscrew (3).
- Release DRAIN STOPPER (1) and check all drain connections and "P" trap for leaks. Tighten if necessary.



7 SERVICE

- To change direction of handle rotation, proceed as follows:
 - Turn valve to OFF position.
 - Pull out INDEX CAP (1) and remove HANDLE SCREW (2).
 - Pull off HANDLE (3) and pull off HANDLE BASE (4).
 - Remove SPRING CLIP (6).
 - Lift STOP WASHER (5), turn 90° and replace.
 - Replace SPRING CLIP (6). Reinstall HANDLE BASE (4) and HANDLE ASSEMBLY.
- If spout drips, operate handles several times from OFF to ON position. Do not force - handles turn only 90°.



8 CARE INSTRUCTIONS:

- To keep your new faucet looking new, please follow these simple care instructions:
 - DO:** ■ Simply rinse the faucet clean with clear water.
 - Dry the faucet with a soft cotton cloth.
 - DO NOT:**
 - Do not use any abrasive cleaners, cloths, or paper towels.
 - Do not use any cleaning agents containing acids, polish abrasives, or harsh cleaners or soaps.
- Regular and routine cleaning will reduce the need for heavy cleaning and polishing. If heavy cleaning is required, the following procedures are recommended:

- Remove as much surface dirt and film using clear water and soft cotton cloth (as described above).
 - Use any of the following to remove tough surface film and build-up:
 - Mild liquid detergents
 - Clear ammonia free liquid glass cleaners
 - Non-acidic, non-abrasive gentle liquid or fully dissolved powder cleansers mixed according to manufacturers directions.
 - Non-abrasive liquid polishers
- Once clean, rinse faucet again with clear water to thoroughly remove cleaner or polish and blot dry with

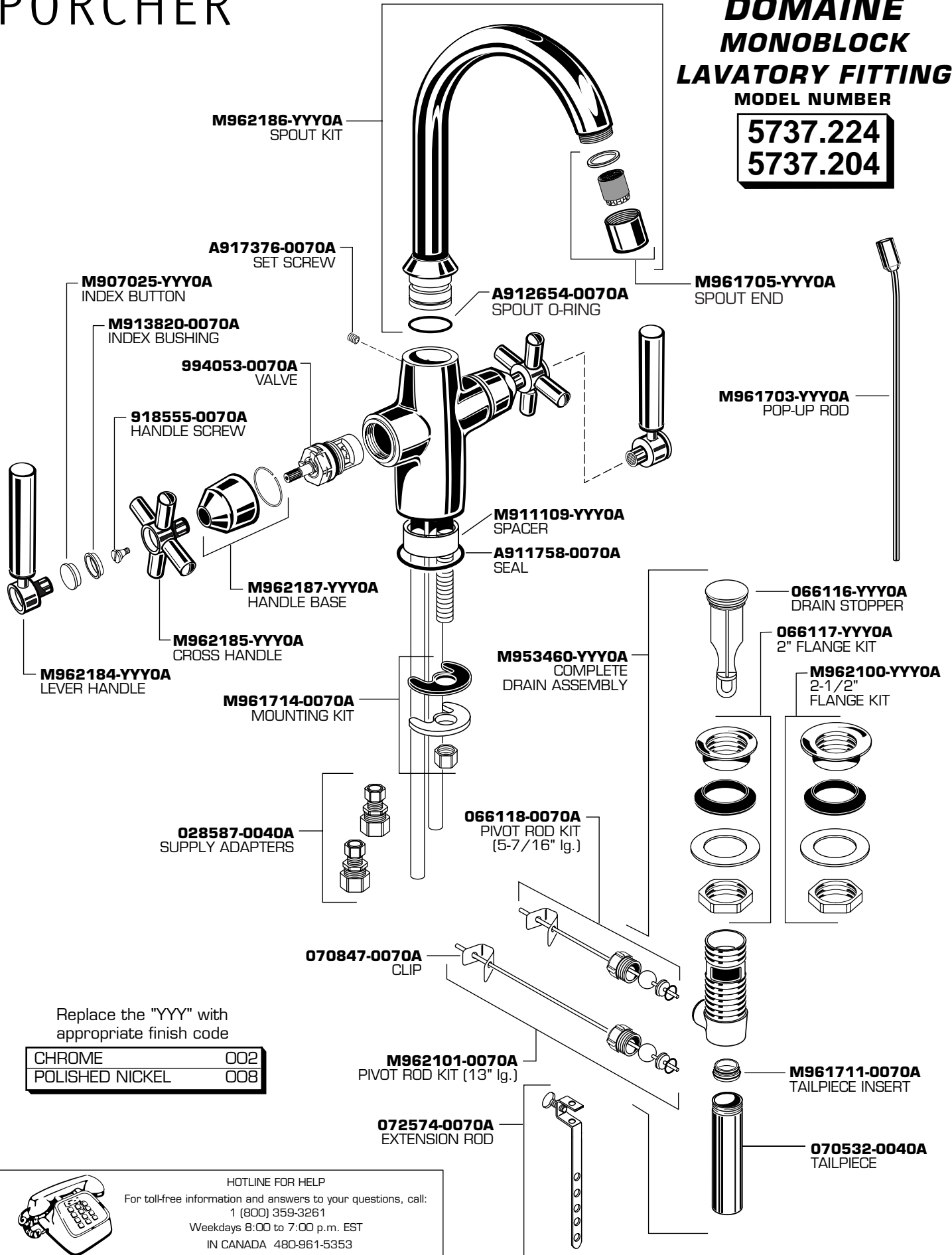
Failure to follow these care instructions may damage the Faucet's finish.

PORCHER®

DOMAINE MONOBLOCK LAVATORY FITTING

MODEL NUMBER

5737.224
5737.204



Replace the "YYY" with appropriate finish code

CHROME	002
POLISHED NICKEL	008



HOTLINE FOR HELP

For toll-free information and answers to your questions, call:

1 (800) 359-3261

Weekdays 8:00 to 7:00 p.m. EST

IN CANADA 480-961-5353

Product names listed herein are trademarks of Porcher, Ltd.
©Porcher, Ltd. 2003

M968244B