

# INSTALLATION INSTRUCTIONS CARE AND MAINTENANCE



## SEMPLICE ABOVE COUNTER LAVATORY SERIES

Model 15140 - Round

Model 15160 - Square

Model 15180 - Rectangle

Thank you for selecting our Porcher product. To ensure that your installation proceeds smoothly, read these instructions carefully before you begin. Also, review the recommended tools and materials section. Carefully unpack and examine your new plumbing fixture.

**▲ CAUTION: CHINA LAVATORIES MAY BE HEAVY AND ARE FRAGILE. USE EXTREME CARE WHEN HANDLING!**  
NOTE: Pictures may not exactly define contour of china and components.

### RECOMMENDED TOOLS AND MATERIALS

Regular Screwdriver	Tape Measure	Level	Pipe Wrench	Plumber's Putty or Caulking
Phillips Screwdriver	Channel Locks	Hacksaw	Saber Saw	Adjustable Wrench
Tubing Cutter	Drill	Square		

### ALL INSTALLATION PROCEDURES MUST COMPLY IN STRICT ACCORDANCE WITH APPLICABLE LOCAL PLUMBING AND BUILDING CODES

#### REPLACEMENT USE

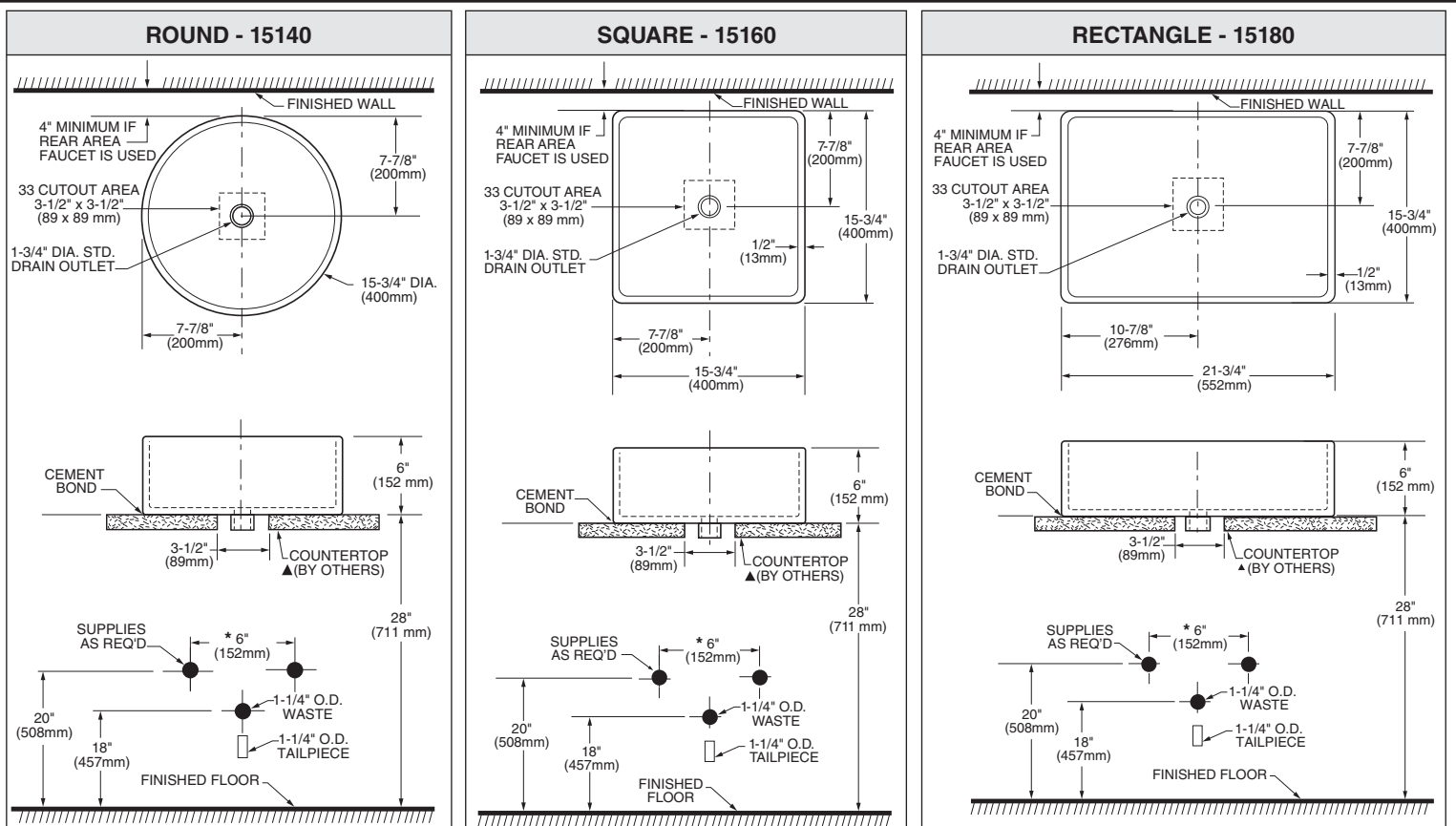
When replacing an original unit be sure to shut off water supply *before* removing the unit or disconnecting water supply lines and drain fittings. Original supply lines and shutoff valves should be replaced and used with fittings and adapters to match the hookups on the replacement unit.

**▲ USE TEFLON SEALANT TAPE ON PIPE THREADS FOR WATERTIGHT CONNECTIONS!**

#### DRAINS

The Semplice series of above counter lavatories are designed to operate properly with strainer type grid drains or drains with pop-up rod assemblies. Porcher recommends that you follow INSTALLATION PROCEDURES AND USE APPROPRIATE DRAINS THAT COMPLY IN STRICT ACCORDANCE WITH APPLICABLE LOCAL PLUMBING AND BUILDING CODES.

### PRODUCT SPECIFICATIONS



NOTES: \* DIMENSIONS SHOWN FOR LOCATION OF SUPPLIES AND "P" TRAP ARE SUGGESTED.

## INSTALLATION PROCEDURES

Typical installation includes installation of faucet, connection of flexible water supply lines, attachment of basin to countertop, sizing and installation of drain to house water system.

### INSTALLING BASIN

- STEP 1.** Using carpenter's square ensure that the countertop is level. Next, carefully position the lavatory in the desired location for the basin. Ensure you have provided proper clearance under the countertop for the faucet, supply lines, drain assembly and the structural parts of the cabinet. Mark desired drain and faucet location on countertop with pencil. Please refer to faucet installation instructions to verify desired faucet rough-in areas.
- STEP 2.** Drill a 3-1/2" (89 mm) hole at drain location. Drill a hole at faucet mount location using faucet installation instructions for exact positioning.
- STEP 3.** Position lavatory in place, centering it above the drain hole. Place clear silicone bead around perimeter of lav where lav meets counter.
- STEP 4.** Pre-assemble P-trap drain connections in accordance with manufacturer's instructions. Check that pop-up drain opens and closes properly when drain control is operated.
- STEP 5.** Connect supply lines to shutoff valves and securely tighten nuts.
- STEP 6.** Install faucet and drain in accordance with manufacturer's instructions. Hand tighten drain and add one quarter turn to allow the sink to expand and contract with changing water and room temperatures. If drain leaks, add another quarter turn. Repeat this process until leak stops. Do not over tighten to prevent stress cracks. Turn on water supply valves and water-test installation.

### CARE AND MAINTENANCE



**CAUTION: Do not over-tighten.** The nut on the drain set should be finger tightened and then turned no more than one additional turn. In most cases, depending upon the drain set chosen, plumber's putty or a series of rubber gaskets should be used to create a water tight seal.

Do not use harsh abrasives or caustic cleaners to clean fixture surfaces. A mild detergent, warm water, and a soft cloth will remove normal dirt and soap accumulations from fittings and surfaces. Rinse thoroughly after cleaning and polish with a soft dry cloth to restore original luster of material.

### PORCHER ONE-YEAR LIMITED WARRANTY

If inspection of this Porcher plumbing product, within one year after its initial purchase, confirms that it is defective in materials or workmanship, Porcher will repair or, at its option, exchange the product for a similar model.

This warranty **does not apply** to local building code compliance. Since local building codes vary considerably, the purchaser of this product should check with a local building or plumbing contractor to insure local code compliance before installation.

This warranty **shall be void** if the product has been moved from its initial place of installation; if it has been subjected to faulty maintenance, abuse, misuse, accident or other damage; if it was not installed in accordance with Porcher's instructions; or if it has been modified in a manner inconsistent with the product as shipped by Porcher.

Porcher's option to repair or exchange the product under this warranty does not cover any labor or other costs of removal or installation, **nor shall Porcher be responsible for any other incidental or consequential damages attributable to a product defect or to the repair or exchange of a defective product, all of which are expressly excluded from this warranty.** (Some states or provinces do not allow the exclusion or limitation of implied warranties, so this exclusion may not apply to you.)

This warranty gives you specific legal rights. You may have other statutory rights that vary from state to state or from province to province, in which case this warranty does not affect such statutory rights.

For service under this warranty, it is suggested that a claim be made through the contractor or dealer from or through whom the product was purchased, or that a service request (including a description of the product model and of the defect) be sent to the following address:

**In the United States:**

Porcher  
P.O. Box 6820  
Piscataway, New Jersey, 08855  
Attention: Director of Consumer Affairs

For residents of the United States, warranty information may also be obtained by calling the following toll free number: (800) 359-3261

**In Canada:**

Porcher  
5900 Avebury Rd.  
Mississauga, Ontario  
Canada L5R 3M3

Toronto Area: (905) 306-1093  
Toll Free: (800) 387-0369

**In Mexico:**

Porcher  
Planta Santa Clara  
Via Morelos #330  
Santa Clara Coatitla  
Ecatepec de Morelos 55540,  
Estado de Mexico, Mexico