

PORCHER® CHIPPERFIELD MONOBLOCK LAVATORY FAUCETS (LAVATORY & VESSEL)

Installation Instructions

5120.101
5120.501

Thank you for selecting Porcher Products.

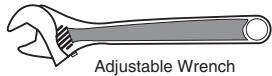
To ensure that your installation proceeds smoothly—please read these instructions carefully before you begin.



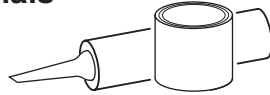
Certified to comply with ANSI A112.18.1M

M968825 Rev. 1.1

Recommended Tools & Materials



Adjustable Wrench



Plumbers' Putty or
Caulking



Regular Screwdriver



Phillips Screwdriver



Channel Locks

1 INSTALL LAVATORY FAUCETS 5020.101/501

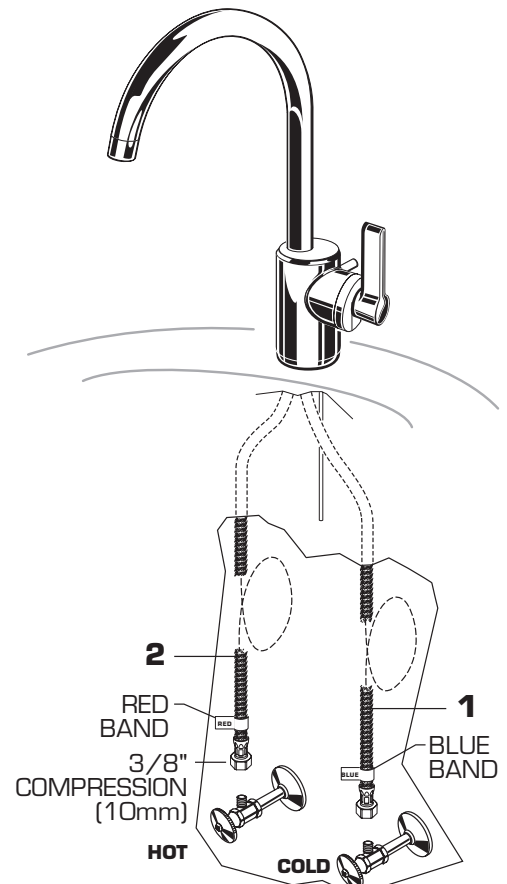
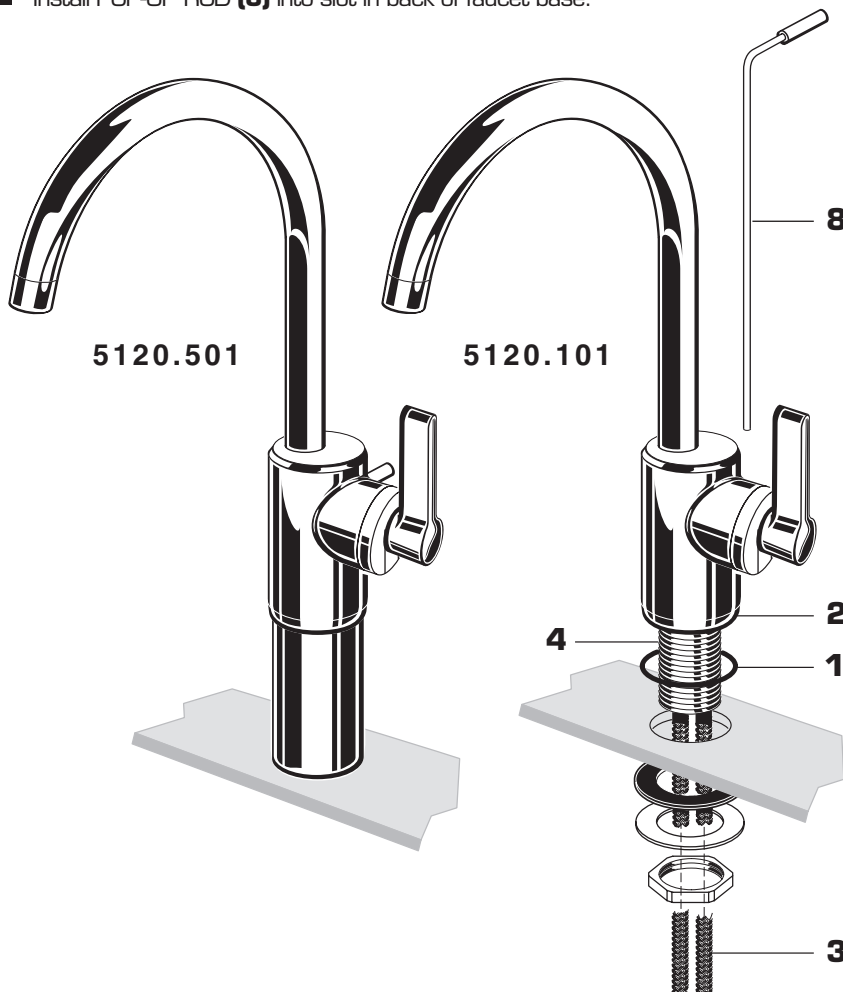
CAUTION

Turn off hot and cold water supplies before beginning.

2 MAKE WATER SUPPLY CONNECTIONS

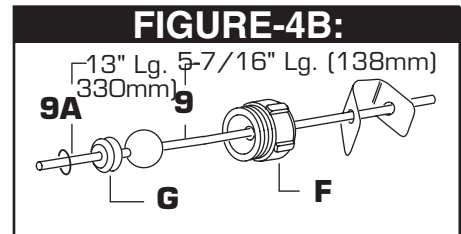
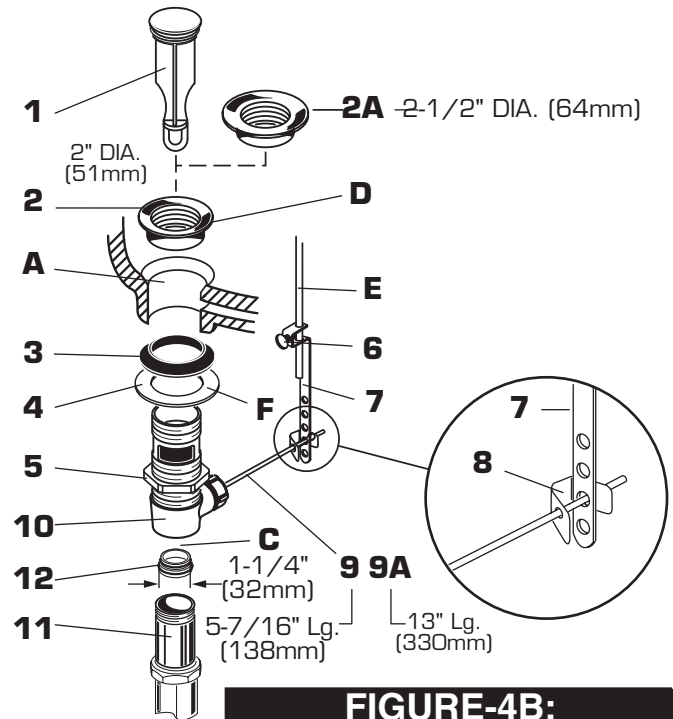
- Seat O-RING (1) into under side of FAUCET BASE (2).
- Feed FAUCET SUPPLIES (3) and MOUNTING SHANK (4) through mounting hole of lavatory or mounting surface.
- From below, install RUBBER WASHER (5), BRASS WASHER (6) and MOUNTING NUT (7) onto MOUNTING SHANK (4). Before final tightening, adjust Faucet so that it is centered. Tighten MOUNTING NUT (7) to complete mounting.
- Install POP-UP ROD (8) into slot in back of faucet base.

- Connect FLEXIBLE SUPPLIES (1, 2) directly to wall supplies. Connection on fitting supplies is 3/8" compression. Connect left supply to Hot (Marked with a Red Band) and right supply to Cold (Marked with a Blue Band). Faucet supplies are 16" long from faucet base.
- *Note: If additional supply length is required, installer must purchase additional parts separately.*
- *Important: If SUPPLY HOSES (1, 2) are to long, loop as illustrated to avoid kinking.*



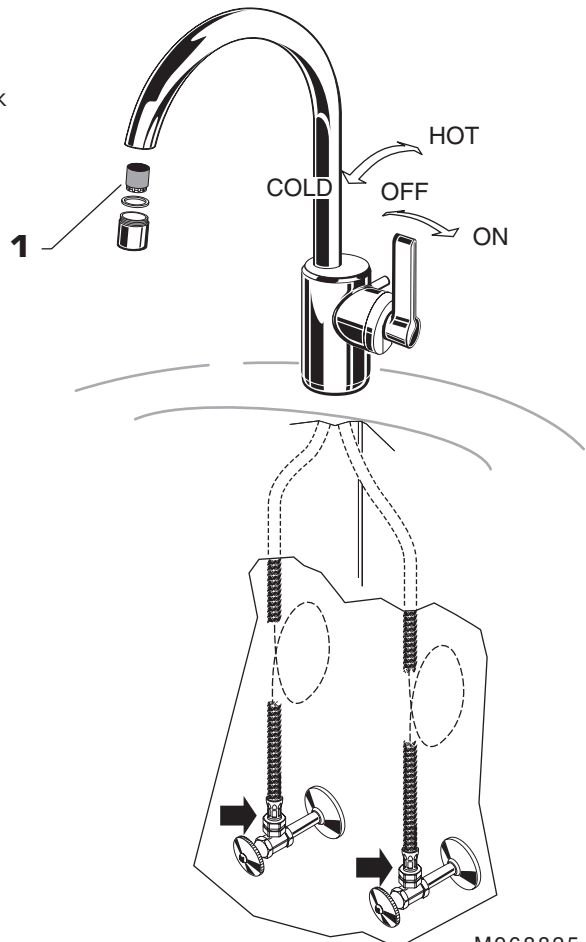
3 INSTALL POP-UP DRAIN

- Push Tail piece (11) down into Trap (C) (threaded end up).
- Thread Locknut (5), Washer (4) and Gasket (3) (Bevel side up) onto Drain Body (10).
- Apply a bead of Putty (D) to underside of Flange (2) or (2A).
- Feed Drain Body (10) up through Sink (A) and thread the Flange (2) or (2A) fully onto Drain Body (10).
- Tighten Locknut (5) firmly, keeping the pivot rod hole pointed towards the back of the sink.
- Assemble Pivot Rod (9) or (9A) as shown in Figure-4B. Notice the position of the Concave Washer (G).
- Insert Pivot Rod (9) or (9A) into Drain Body (10) and tighten Pivot Nut (F).
- Push TAIL PIECE INSERT (12) into TAIL PIECE (11) and push TAIL PIECE up and thread tightly into DRAIN BODY (10).
- Position Extension Rod (7) onto Pop-Up Rod (E) and tighten Thumbscrew (6).
- Remove one end of Clip (8) from Pivot Rod (9) or (9A) by squeezing ends together while sliding.
- Insert Pivot Rod (9) or (9A) into second or third hole in Extension Rod (7) and reassemble Clip (8).
- Drop Stopper (1) into Drain Body (10).
- Adjust stopper height by repositioning Extension Rod (7) and tightening Thumbscrew (6).



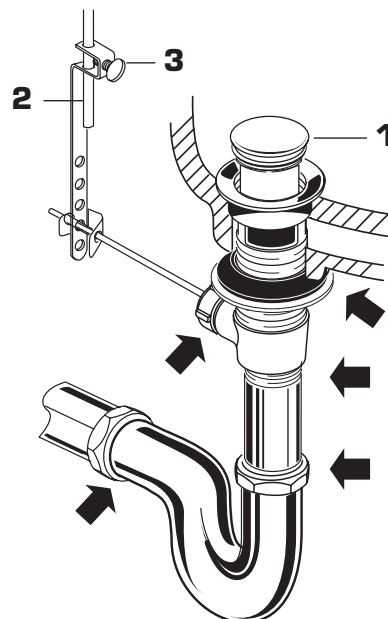
4 TEST INSTALLED FAUCET

- With handle in OFF position, turn on water supplies and check all connections for leaks.
- Remove AERATOR (1), operate handle to flush water lines thoroughly.
- Replace AERATOR (1).



5 CHECK DRAIN CONNECTIONS

- Operate Lift Rod and fill lavatory with water. Check that DRAIN STOPPER (1) makes a good seal and retains water in lavatory. Adjust stopper height by repositioning Lift Rod (2) and tightening Thumbscrew (3).
- Release DRAIN STOPPER (1) and check all drain connections and "P" trap for leaks. Tighten if necessary.

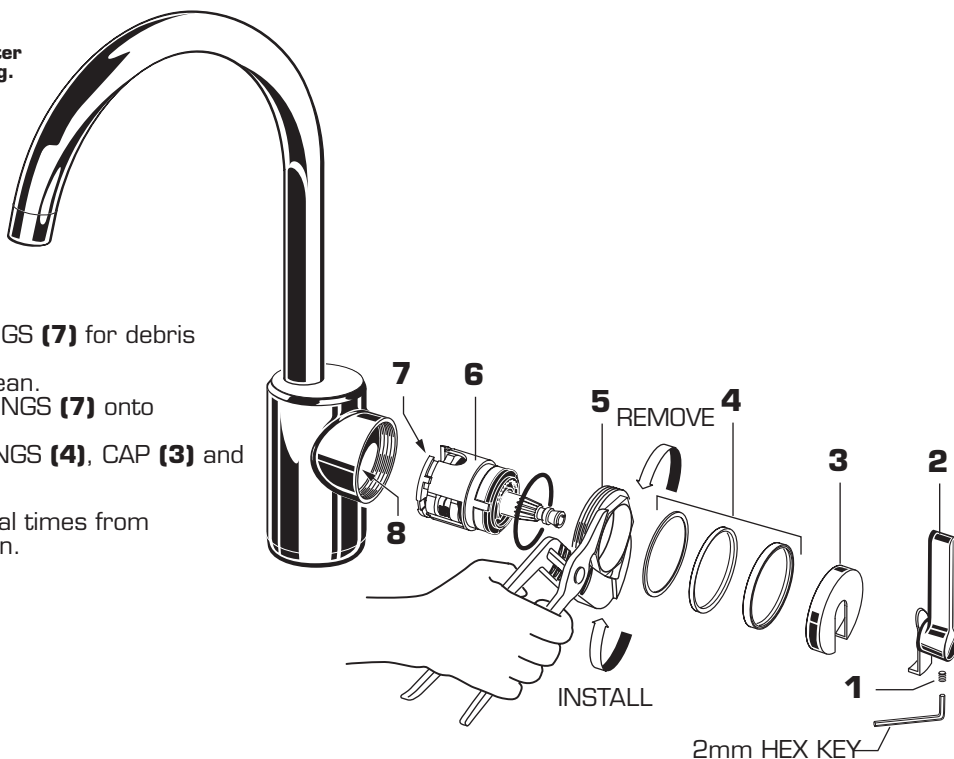


6 SERVICE

CAUTION

Turn off hot and cold water supplies before beginning.

- To remove and clean or replace cartridge:
 - Turn valve to OFF position.
 - Remove HANDLE SCREW (1).
 - Pull off HANDLE (2) and CAP (3).
 - Remove THREE RINGS (4).
 - Unthread CARTRIDGE NUT (5) and remove.
 - Pull out CARTRIDGE (6).
 - Inspect CARTRIDGE (6) and O-RINGS (7) for debris and clean if necessary.
 - Clean MANIFOLD (8) and rinse clean.
 - Reinstall CARTRIDGE (6) with O-RINGS (7) onto MANIFOLD (8).
 - Reinstall CARTRIDGE NUT (5), RINGS (4), CAP (3) and HANDLE (2).
- If spout drips, operate handle several times from OFF to ON and HOT to COLD position.
Do not force - handle.



7 CARE INSTRUCTIONS:

- To keep your new faucet looking new, please follow these simple care instructions:

DO:

- Simply rinse the faucet clean with clear water.
- Dry the faucet with a soft cotton cloth.

DO NOT:

- Do not use any abrasive cleaners, cloths, or paper towels.
- Do not use any cleaning agents containing acids, polish abrasives, or harsh cleaners or soaps.

- Regular and routine cleaning will reduce the need for heavy cleaning and polishing. If heavy cleaning is required, the following procedures are recommended:

- Remove as much surface dirt and film using clear water and soft cotton cloth (**as described above**).

- Use any of the following to remove tough surface film and build-up:
 - Mild liquid detergents.
 - Clear liquid glass cleaners.
 - Non-acidic, non-abrasive gentle liquid or fully dissolved powder cleansers mixed according to manufacturers directions.
 - Non abrasive liquid polishes.

- Once clean, rinse faucet again with clear water to thoroughly remove cleaner or polish and blot dry with **Failure to follow these care instructions may damage the Faucet's finish.**

PORCHER®

CHIPPERFIELD MONOBLOCK LAVATORY FAUCETS

MODEL NUMBER

5120.101
5120.501

5120.101
LAVATORY FAUCET

M922862-YYY0A
AERATOR

650742-YYY0A
POP-UP ROD

951970-0070A
CARTRIDGE

912740-0070A
CARTRIDGE O-RING

606660-0070A
CARTRIDGE NUT

M962355-YYY0A
HANDLE KIT

912647-0070A
O-RING

M962354-YYY0A
COVER KIT

5120.501
VESSEL FAUCET

060467-0070A
MOUNTING KIT

M953460-YYY0A
COMPLETE
DRAIN ASSEMBLY

066116-YYY0A
DRAIN STOPPER

066117-YYY0A
2" FLANGE KIT (51mm)

M962100-YYY0A
2-1/2" FLANGE KIT
(64mm)

066118-0070A
PIVOT ROD KIT
(5-7/16" lg.) (138mm)

070847-0070A
CLIP

M962101-0070A
PIVOT ROD KIT (13" lg.)
(330mm)

Replace the "YYY" with
appropriate finish code

CHROME 002

072574-0070A
EXTENSION ROD

900864-0070A
DRAIN BODY

M961711-0070A
TAIL PIECE INSERT

070532-0040A
TAILPIECE

HOT LINE FOR HELP

For toll-free information and answers to your questions, call:
1-800-442-1902
Weekdays 8:00 a.m. to 6:00 p.m. EST
IN CANADA 1-800-387-0369 (TORONTO 1-905-306-1093)
Weekdays 8:00 a.m. to 7:00 p.m. EST
IN MEXICO 01-800-839-12-00



Product names listed herein are trademarks of American Standard Inc.
© Porcher, Inc. 2008

M968825 Rev. 1.1