

INSTALLATION INSTRUCTIONS CARE AND MAINTENANCE



Porcher Solutions™ Wall Hung Dual Flush Toilet with Seat Model 47010-11



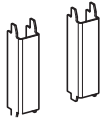
Thank you for selecting Porcher. To ensure this product is installed properly, please read these instructions carefully before you begin. (Certain installations may require professional help.) Also be sure your installation conforms to local codes.

▲ CAUTION: PRODUCT IS FRAGILE. TO AVOID BREAKAGE AND POSSIBLE INJURY HANDLE WITH CARE!
NOTE: Pictures may not exactly define contour of china and components.

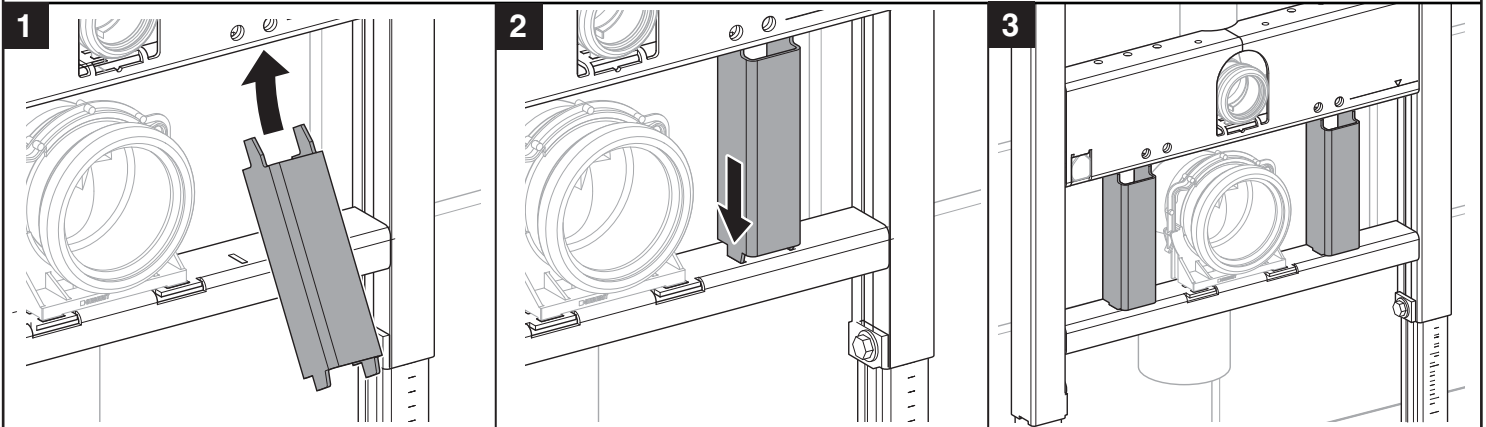
RECOMMENDED TOOLS AND MATERIALS

Putty Knife	Regular Screwdriver	Adjustable Wrench	Sealant	Tape Measure
Hacksaw	Wax Ring/Gasket	Flexible Supply Tube	Closet Bolts	Carpenters Level

This bowl was designed and tested against codes with Geberit tanks. See tank installation instructions for in wall tank installation. If using another in-wall tank the performances could vary.

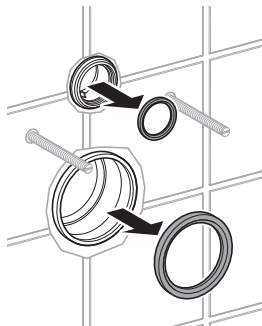


These 2 brackets must be installed during tank frame installation. The brackets are delivered with the tank frame.

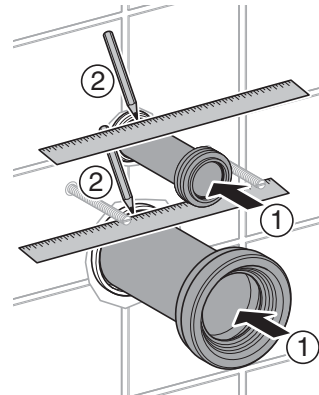


BOWL INSTALLATION:

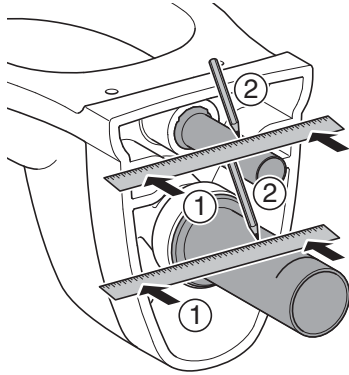
1 Remove yellow protection plugs and seals from pipes.



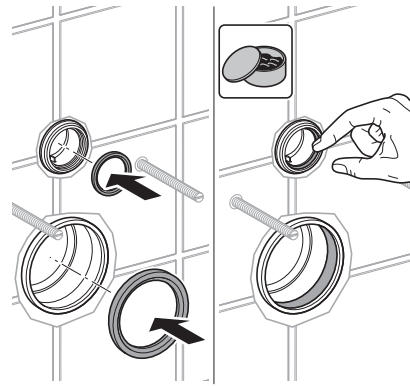
2 Insert discharge pipe into the pipe hub in the wall. Place a straight edge flush against the wall and mark a line on the pipe. Fit finned rubber seal onto flush pipe. Repeat same procedure for discharge pipe.



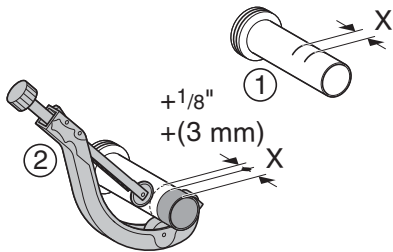
- 3** Place discharge pipe with gasket into waste outlet of bowl. Also place flush pipe with fin gasket into inlet of bowl. Then mark a second line on both pipes.



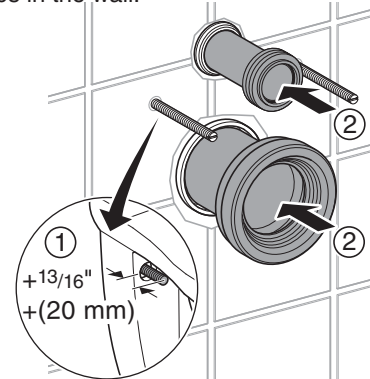
- 7** Install both seals into the pipes in the wall. Lubricate seals with appropriate rubber seal lubricant.



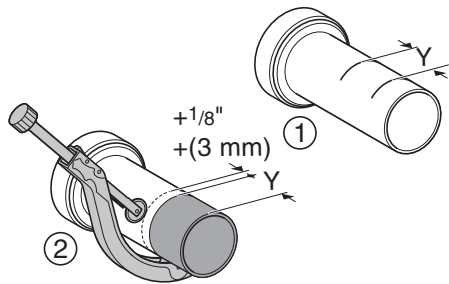
- 4** Add dimension X and 1/8". Using that dimension, mark a line on the pipe measuring from the hub side. Cut off the pipe at the line with a pipe cutter.



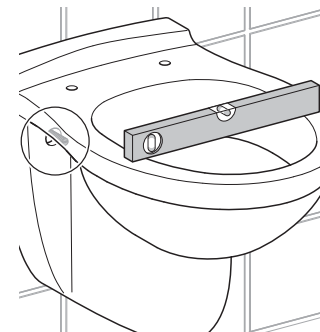
- 8** Remove protective sleeves from mounting rods. Determine protruding rod length for bowl installation. Install both pipes into the hubs in the wall.



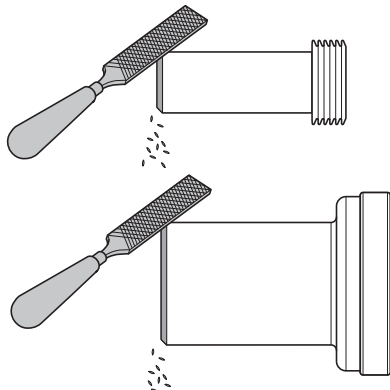
- 5** Add dimension Y and 1/8". Using that dimension, mark a line on the pipe measuring from the hub side. Cut off the pipe at the line with a pipe cutter.



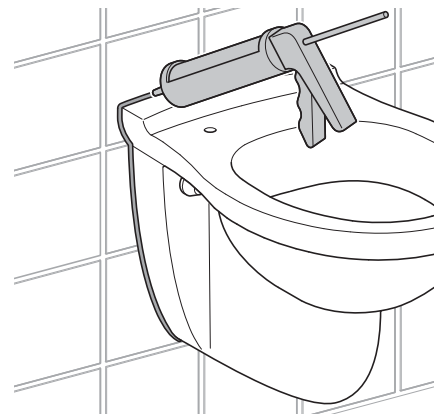
- 9** **NOTE: DO NOT overtighten hex nuts!** Place bowl onto rods. Attach cap washer with nose up and facing forwards onto rods. Install washer and hex nuts, tighten loosely. Level bowl. Tighten hex nuts. Snap on the bolt caps.



- 6** Bevel the sharp edges as shown to assure a smooth insertion into the pipe hubs in the wall.



- 10** Seal gap around bowl with waterproof sealant.



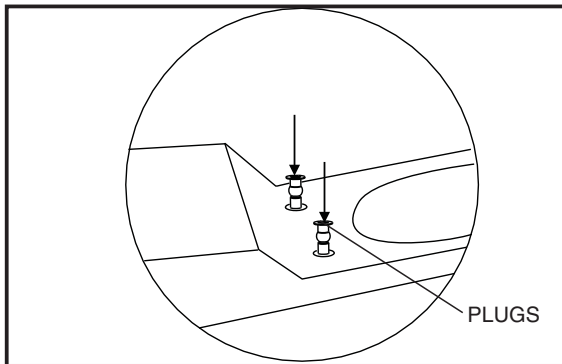
CARE AND CLEANING

When cleaning your toilet, wash it with mild, soapy water, rinse thoroughly with clear water and dry with a soft cloth. Avoid detergents, disinfectants, or cleaning products in aerosol cans. NEVER use abrasive scouring powders or abrasive pads on your toilet seat. Some bathroom chemicals and cosmetics may damage the seat's finish.

⚠ WARNING: Do not use in-tank cleaners. Products containing chlorine (calcium hypochlorite) can seriously damage fittings in the tank. This damage can cause leakage and property damage.
American Standard shall not be responsible or liable for any tank fitting damage caused by the use of cleaners containing chlorine (calcium hypochlorite).

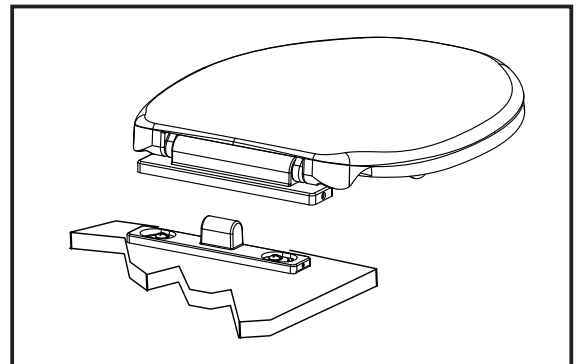
INSTALLATION OF TOILET SEAT:

12a



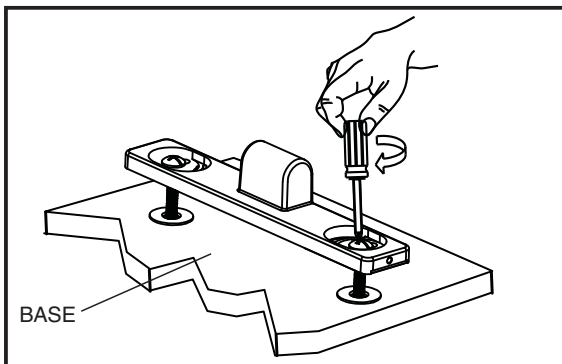
Insert plugs into holes of toilet.

12c



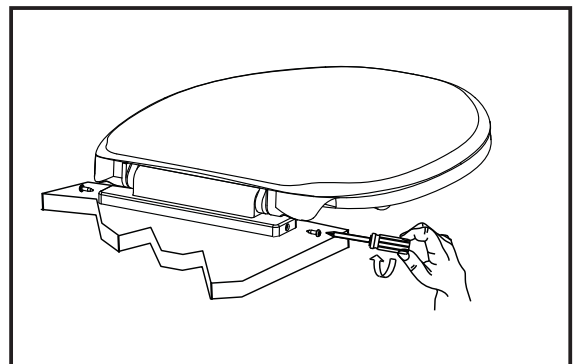
Place seat into position.

12b



Install base.

12d



Fix seat with screws.

PART NUMBER	DESCRIPTION
47010-11.XXX	BOWL WITH SEAT
77010-00.XXX	SEAT
47810-00.000	STANDARD FRAME
47910-00.000	SHORT FRAME
82810-00.XXX	STANDARD FRAME SIGMA01 FLUSH PLATE
81810-00.XXX	STANDARD FRAME BOLERO FLUSH PLATE
81910-00.XXX	SHORT FRAME KAPPA20 FLUSH PLATE
<i>(for carrier repair parts please check carrier installation instructions)</i>	

LIMITED WARRANTY

If inspection of this Porcher plumbing product, inclusive of all china components, within ten years after its initial purchase, confirms that it is defective in materials or workmanship, Porcher will repair or, at its option, exchange the product for a similar model.

If inspection of this Porcher plumbing product, inclusive of all mechanical components, within five years after its initial purchase, confirms that it is defective in materials or workmanship, Porcher will repair or, at its option, exchange the product for a similar model.

If inspection of this Porcher plumbing product, inclusive of all toilet seat components, within one year after its initial purchase, confirms that it is defective in materials or workmanship, Porcher will repair or, at its option, exchange the product for a similar model.

This warranty **does not apply** to local building code compliance. Since local building codes vary considerably, the purchaser of this product should check with a local building or plumbing contractor to insure local code compliance before installation.

This warranty **shall be void** if the product has been moved from its initial place of installation; if it has been subjected to faulty maintenance, abuse, misuse, accident or other damage; if it was not installed in accordance with Porcher's instructions; or if it has been modified in a manner inconsistent with the product as shipped by Porcher.

This warranty **DOES NOT COVER** any damage caused by the use of in-tank cleaners.

Porcher's option to repair or exchange the product under this warranty does not cover any labor or other costs of removal or installation, **nor shall Porcher be responsible for any other incidental or consequential damages attributable to a product defect or to the repair or exchange of a defective product, all of which are expressly excluded from this warranty.** (Some states or provinces do not allow the exclusion or limitation of implied warranties, so this exclusion may not apply to you.)

This warranty gives you specific legal rights. You may have other statutory rights that vary from state to state or from province to province, in which case this warranty does not affect such statutory rights.

For service under this warranty, it is suggested that a claim be made through the contractor or dealer from or through whom the product was purchased, or that a service request (including a description of the product model and of the defect) be sent to the following address:

In the United States:
 American Standard Brands
 P.O. Box 6820
 Piscataway, New Jersey 08855
 Attention: Director of Consumer Affairs

In Canada:
 AS Canada ULC
 5900 Avebury Rd.
 Mississauga, Ontario
 Canada L5R 3M3

In Mexico:
 American Standard B&K Mexico
 S. de R.L. de C.V.
 Via Morelos #330
 Col. Santa Clara
 Ecatepec 55540 Edo. Mexico
 Toll Free: 01-800-839-1200
 www.americanstandard.com.mx

For residents of the United States, warranty information may also be obtained by calling the following toll free number: (800) 442-1902
 www.americanstandard.com

Toll Free: (800) 387-0369
 www.americanstandard.ca