

NOVELLA CORNER LAVATORY, KIT# 20661

- Simple and elegant space solution
- Decorative chrome only siphon cover optional
- Single hole only
- Rear overflow
- Optional European Complete Pop-up Drain Assembly #M953460 with available finishes
- Made in Italy

Kit Components:

- 20661** Lavatory slab with 1-3/8" dia. faucet center hole only
- 85550** Decorative trap cover (chrome only)
- 89661** Novella basket/shelf unit with attached towel bar

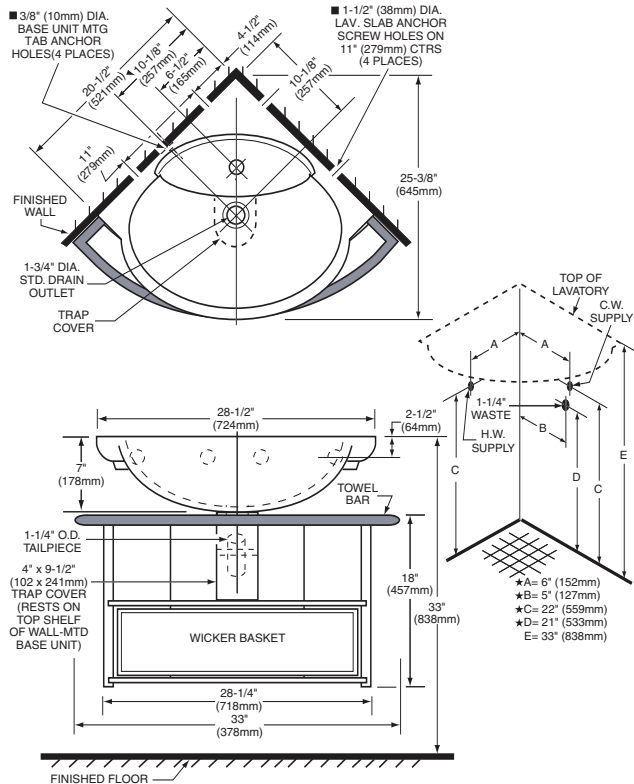
Nominal Dimensions:

28-1/2" x 25-3/8" x 33" (724 x 645 x 838mm)

Bowl Inside Dimensions:

19" (483mm) wide
12" (305mm) front to back
5-1/2" (140mm) depth

Fixture Dimensions conform to ANSI Standard A112.19.2M



To Be Specified

- Faucet:
- Faucet Finish:
- Supplies:
- 1-1/4" Trap:
- Nipple:

NOTES:

- ★ DIMENSIONS SHOWN FOR LOCATION OF SUPPLIES AND "P" TRAP ARE SUGGESTED.
- FOR REINFORCEMENT ONLY. TAKE ACTUAL DIMENSIONS FROM FIXTURE.
- SLAB ANCHORS AND MOUNTING FEATURES TO BE FURNISHED BY OTHERS.
- PROVIDE SUITABLE REINFORCEMENT FOR ALL WALL SUPPORTS.
- FITTINGS NOT INCLUDED AND MUST BE ORDERED SEPARATELY.
- INSTALLATION INSTRUCTIONS SUPPLIED WITH LAVATORY.

IMPORTANT: Dimensions of fixtures are nominal and may vary within the range of tolerances established by ANSI Standard A112.19.2M. These measurements are subject to change or cancellation. No responsibility is assumed for use of superseded or voided pages.