

## POMEZIA ELONGATED 2-PIECE WATER CLOSET, KIT# 90150

- 10" x 8" water surface
- Elongated siphon action jetted bowl
- Right Height™ 16-1/2" rim height for comfort seating
- Solid metal trip lever
- 12" rough-in with a 2" trapway
- Seat NOT included

### Water Closet Combination Part Number:

- 90150 Water Closet complete with chrome trip lever

### Tank Number only:

- 41150 Water Closet tank with chrome trip lever

### Bowl Number only:

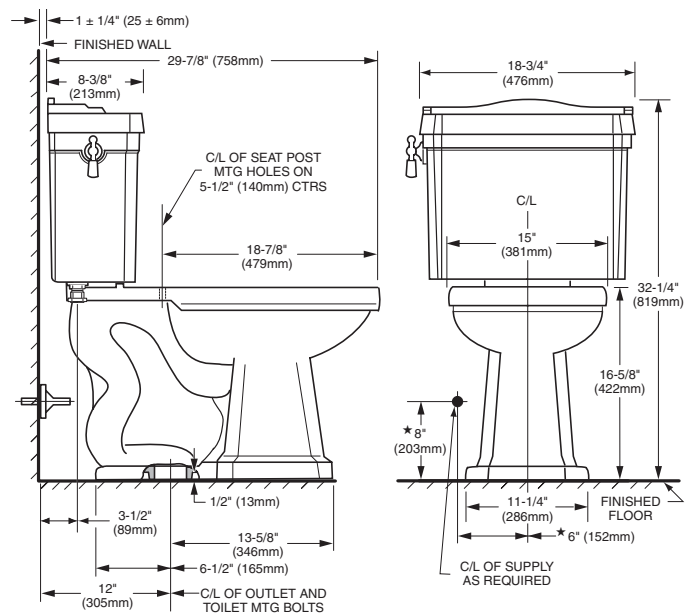
- 40150 Water Closet bowl, elongated

### Optional Trip Levers:

- 81290-00.008 Standard trip lever in polished nickel
- 81290-00.099 Standard trip lever in polished brass
- 81290-00.295 Standard trip lever in brushed nickel

### Nominal Dimensions:

18-3/4" x 29-7/8" x 32-1/4" (476 x 758 x 819mm)



WATER CLOSET HEIGHT of 16-5/8" (422mm) IS IN COMPLIANCE WITH AMERICAN DISABILITIES ACT (ADA) GUIDELINES AND ANSI A117.1 REQUIREMENTS FOR THE PHYSICALLY CHALLENGED.

### To Be Specified

- Color:
- Trip Lever Finish:
- Supply with stop:
- Seat: Wood elongated
  - #71020 Seat & cover chrome hinges
  - #71022 Seat & cover polished brass hinges
  - #71025 Seat & cover brushed nickel hinges
  - #71028 Seat & cover polished nickel hinges

Hydraulic performance, water surface area, trap seal depth, ballpass diameter, and all fixture dimensions meet or exceed ANSI Standard A112.19.2M requirements.

### NOTES:

THIS WATER CLOSET IS DESIGNED TO ROUGH-IN AT A MINIMUM DIMENSION OF 12" (305MM) FROM FINISHED WALL TO C/L OF OUTLET. SUPPLY NOT INCLUDED WITH FIXTURE AND MUST BE ORDERED SEPARATELY. ★ DIMENSIONS SHOWN FOR LOCATION OF SUPPLY ARE SUGGESTED.

IMPORTANT: Dimensions of fixtures are nominal and may vary within the range of tolerances established by ANSI Standard A112.19.2M. These measurements are subject to change or cancellation. No responsibility is assumed for use of superseded or voided pages.