

### POMEZIA 27" PEDESTAL LAVATORY, KIT# 24518

- Traditional styling
- Vitreous china construction
- Available in white or biscuit only
- With backsplash and recessed rear overflow (not shown)
- Faucet ledge with integral soap recesses
- Made in Italy
- Lavatory has decorative overflow holes
- Faucet hole centers (1-3/8" dia.) listed below

#### Kit Components:

- 04168** Lavatory slab with 1-3/8" dia. holes on 8" (203mm) centers (for spread lavatory faucet only)
- 05550** Pedestal base only

#### Nominal Dimensions:

27-3/4" x 21-1/8" x 38-3/8" (705 x 537 x 975mm)

#### Bowl Inside Dimensions:

19-3/4" (502mm) wide

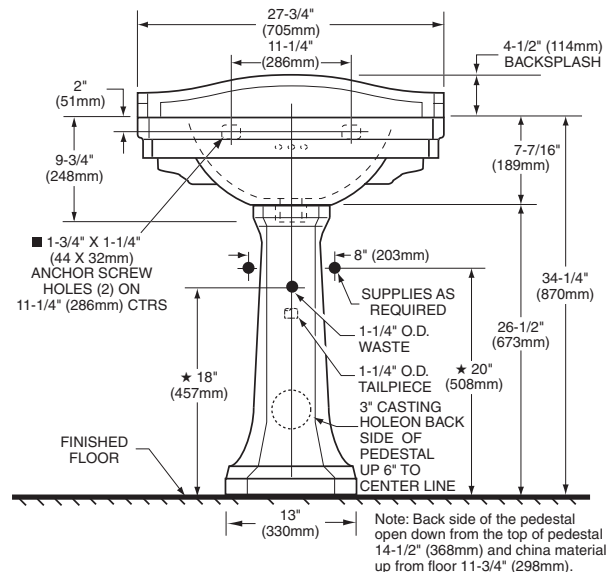
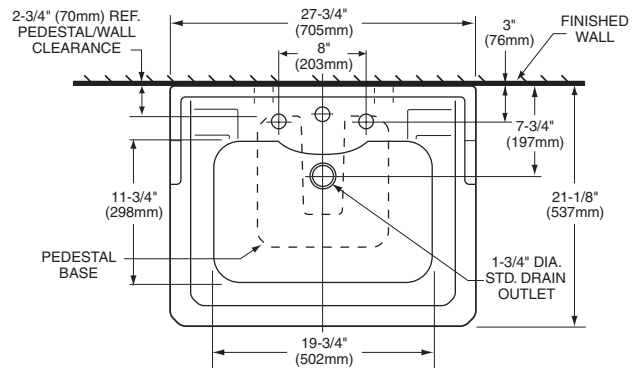
11-3/4" (298mm) front to back

7-7/16" (189mm) depth

**Fixture Dimensions** conform to ANSI Standard A112.19.2M



(24" Pomezia shown above)



#### To Be Specified

- Color:
- Faucet:
- Faucet Finish:
- Supplies:
- 1-1/4" Trap:
- Nipple:

#### NOTES:

- ★ DIMENSIONS SHOWN FOR LOCATION OF SUPPLIES AND "P" TRAP ARE SUGGESTED.
- FOR REINFORCEMENT ONLY. TAKE ACTUAL DIMENSIONS FROM FIXTURE. SLAB/PEDESTAL ANCHORS AND MOUNTING FEATURES TO BE FURNISHED BY OTHERS. PROVIDE SUITABLE REINFORCEMENT FOR ALL WALL SUPPORTS. FITTINGS NOT INCLUDED AND MUST BE ORDERED SEPARATELY. INSTALLATION INSTRUCTIONS SUPPLIED WITH LAVATORY.

IMPORTANT: Dimensions of fixtures are nominal and may vary within the range "P" tolerances established by ANSI Standard A112.19.2M. These measurements are subject to change or cancellation. No responsibility is assumed for use of superseded or voided pages.