

❖ **90550-28 Elongated High Efficiency**

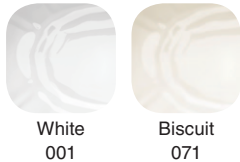
- LXP (Luxury Performance) Toilet
- Design-matched to Porcher's Lutezia™ Collection
- Made of Vitreous China
- Everclean Surface® inhibits the growth of stain and odor causing bacteria, mold and mildew on the surface
- Meets definition for HET (High Efficiency) (1.28 gpf /4.8 Lpf)
- 3" Flush Valve with Chemical Resistant Flapper
- Elongated siphon action jetted bowl with a 2" fully-glazed trapway
- Rim height 16-1/2" for accessible application (ADA)
- Includes a high quality Duroplast slow-close toilet seat with an easy lift-off feature and color matched hinges
- Chrome metal trip lever
- 9-1/4" x 8-1/4" water surface area
- 12" Rough-in
- 10 Year Warranty
- Available in White (001) or Biscuit (071)



Nominal Dimensions:

29-3/4" x 15" x 31-1/8" (758 x 383 x 791mm)

Water Closet Colors:



Kit Components:

- ❖ **41350-28** Tank Only
- ❖ **40550-00** Elongated Bowl Only
- ❖ **70920-00** Seat

Optional Trip Levers in Jado Matched Finishes:

- ❖ **81350-00.100** Polished Chrome
- ❖ **81350-00.105** Old Bronze
- ❖ **81350-00.144** Brushed Nickel
- ❖ **81350-00.150** Polished Nickel
- ❖ **81350-00.167** Diamond
- ❖ **81350-00.355** Ultra Steel
- ❖ **81350-00.444** Antique Nickel

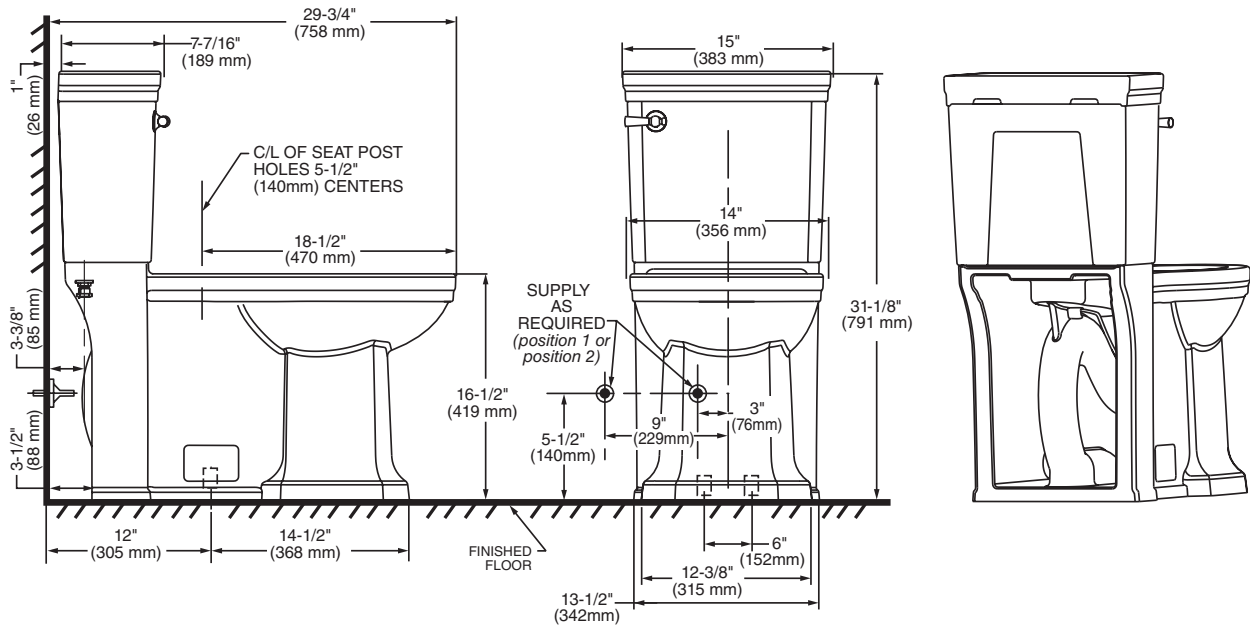
Trip Lever Colors:



ROUGH IN DIAGRAM SHOWN ON REVERSE SIDE

Porcher

LUTEZIA™ 2-PC ELONGATED HIGH EFFICIENCY WATER CLOSET VITREOUS CHINA



IMPORTANT: Water supply on the wall is required at 3" or 9" from centerline of the toilet (see rough-in). First suggested position is hidden behind the toilet. The geometry of the toilet gives space for this installation. The second suggested position is next to the toilet. Between these two positions, the space for the supply between wall and toilet is limited to 3-1/2". In this case, check your supply and hose dimensions.

NOTES:

THIS TOILET IS DESIGNED TO ROUGH-IN AT A MINIMUM DIMENSION OF 12 (305MM) FROM FINISHED WALL TO C/L OF OUTLET. SUPPLIES NOT INCLUDED WITH FIXTURE AND MUST BE ORDERED SEPARATELY.

★ DIMENSIONS SHOWN FOR LOCATION OF SUPPLY ARE SUGGESTED.

IMPORTANT: Dimensions of fixtures are nominal and may vary within the range of tolerances established by applicable ASME standards. These measurements are subject to change or cancellation. No responsibility is assumed for use of superseded or voided pages.



WATER CLOSET HEIGHT OF 16-1/2" (419mm) IS IN COMPLIANCE WITH AMERICAN DISABILITIES ACT (ADA) GUIDELINES AND ANSI A117.1 REQUIREMENTS FOR THE PHYSICALLY CHALLENGED.

To Be Specified:

- Color:
- Trip Lever Finish:

Compliance Certifications:

- Meets or Exceeds ASME A112.19.2 / CSA B45.1
- Includes Flush Performance, Ball Pass Diameter, Trap Seal Depth and all Dimensions